

CD RECEIVER

KDC-5010/6009/PS709 6060R/RV SERVICE MANUAL

KENWOOD

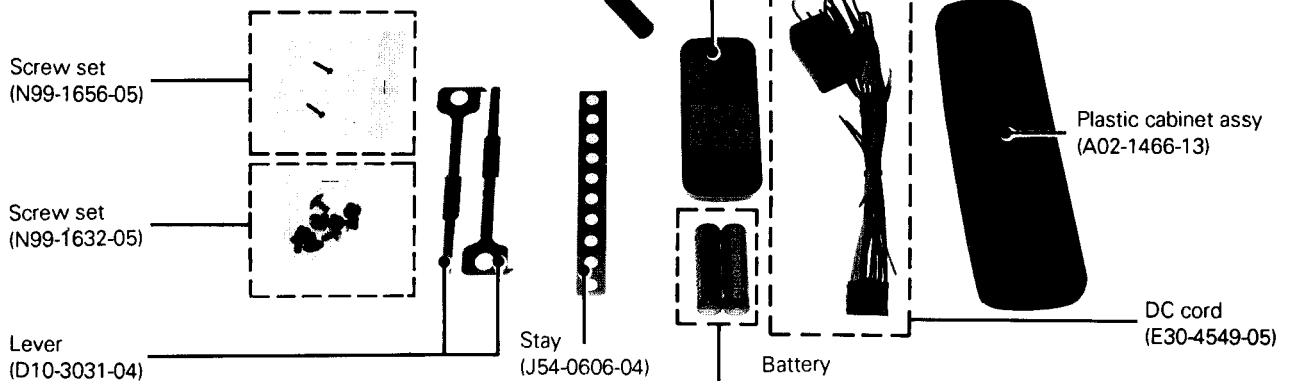
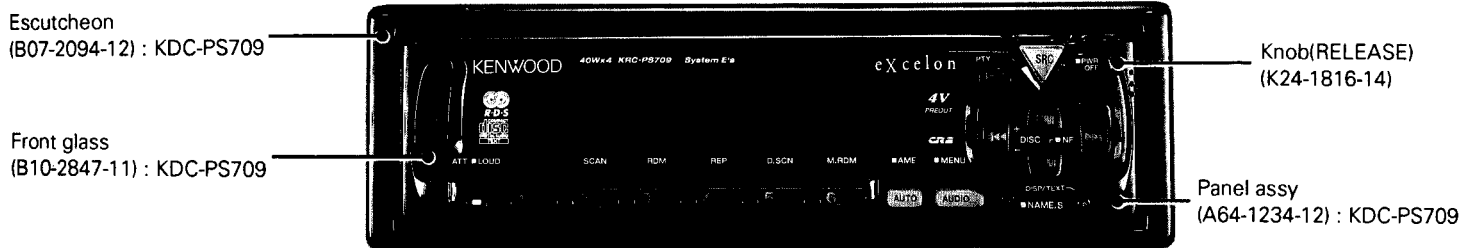
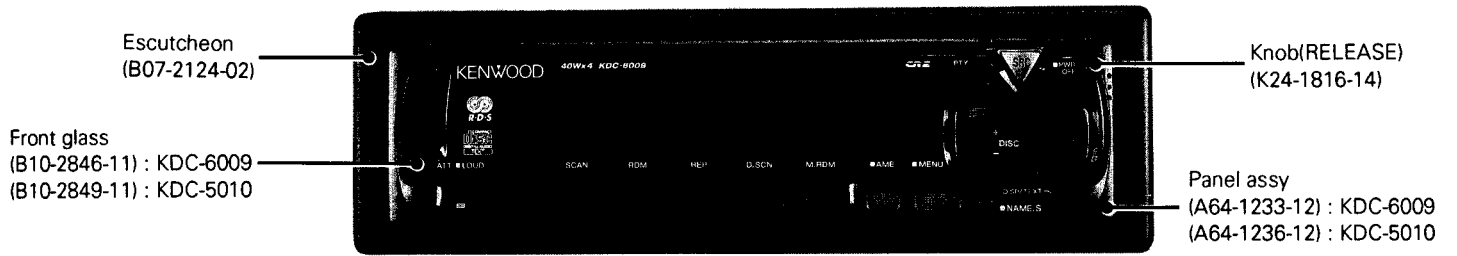
© 1998-1 PRINTED IN JAPAN
B51-7286-00(S) 3303

*These parts are not supplied as service parts

Extension cord	Parts No.
CD mechanism(22P)	W05-0618-00

Model name	Optical TDF
KDC-5010/6009/PS709	TDF-87D
KDC-6060R/RV	TDF-6060

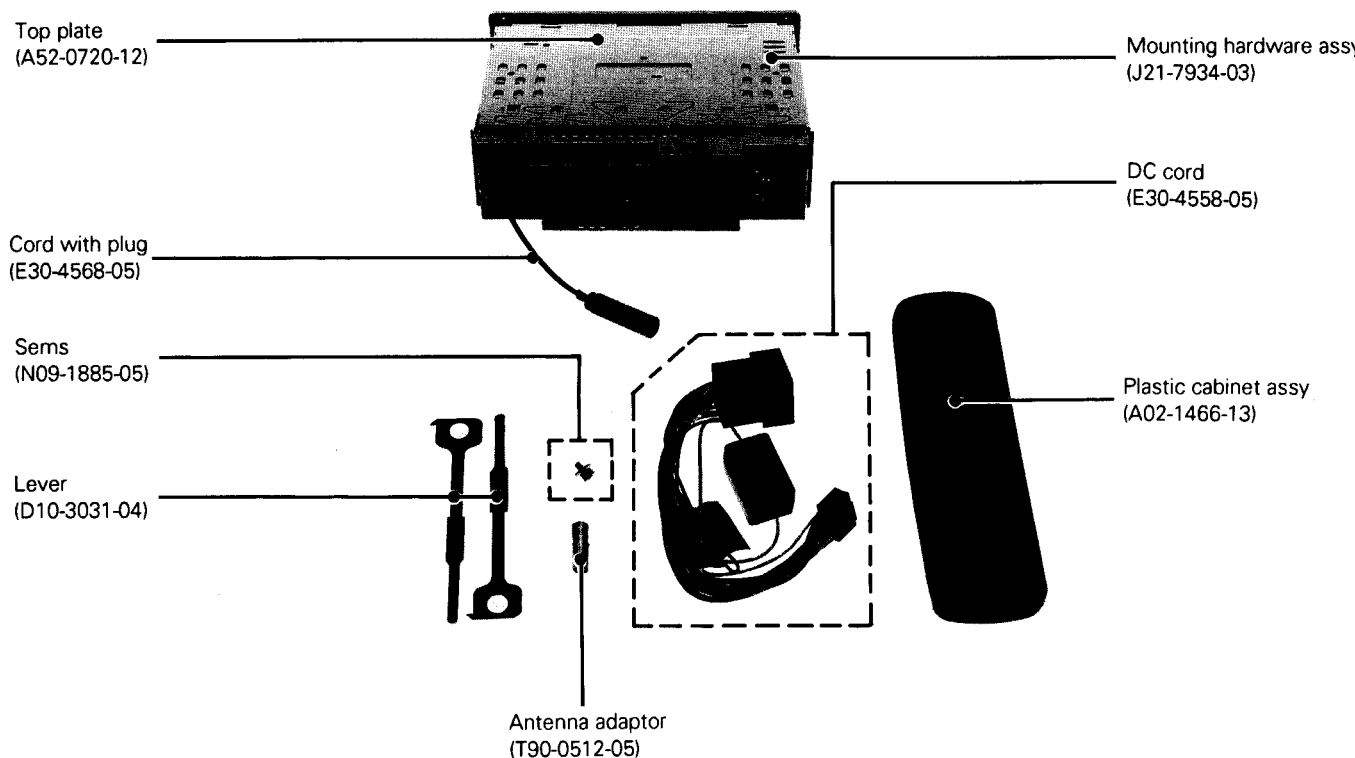
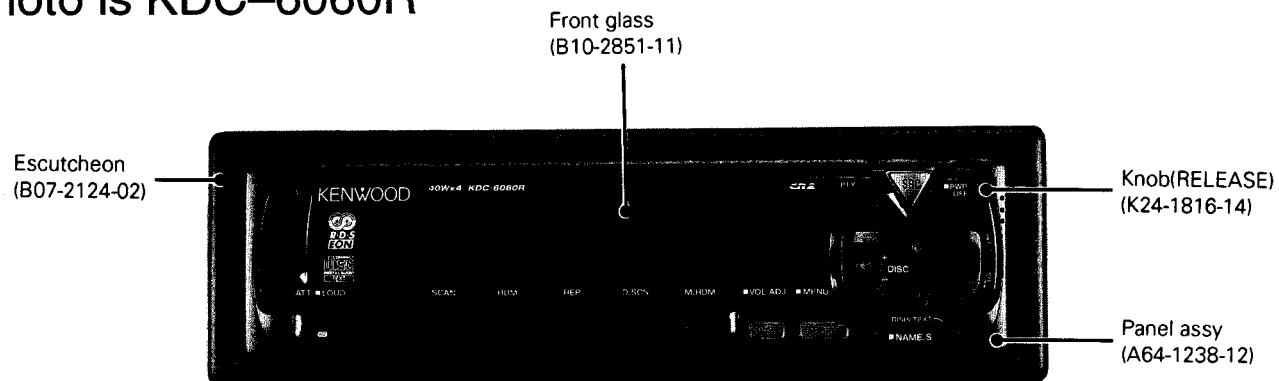
Photo is KDC-6009 and PS709



The MECHANISM OPERATION DESCRIPTION is the same as model KDC-5007 and KDC-5050RG. Please refer to the service manual of model KDC-5007 (B51-7090-00) or KDC-5050RG (B51-7099-00).

KDC-5010/6009/PS709/6060R/RV

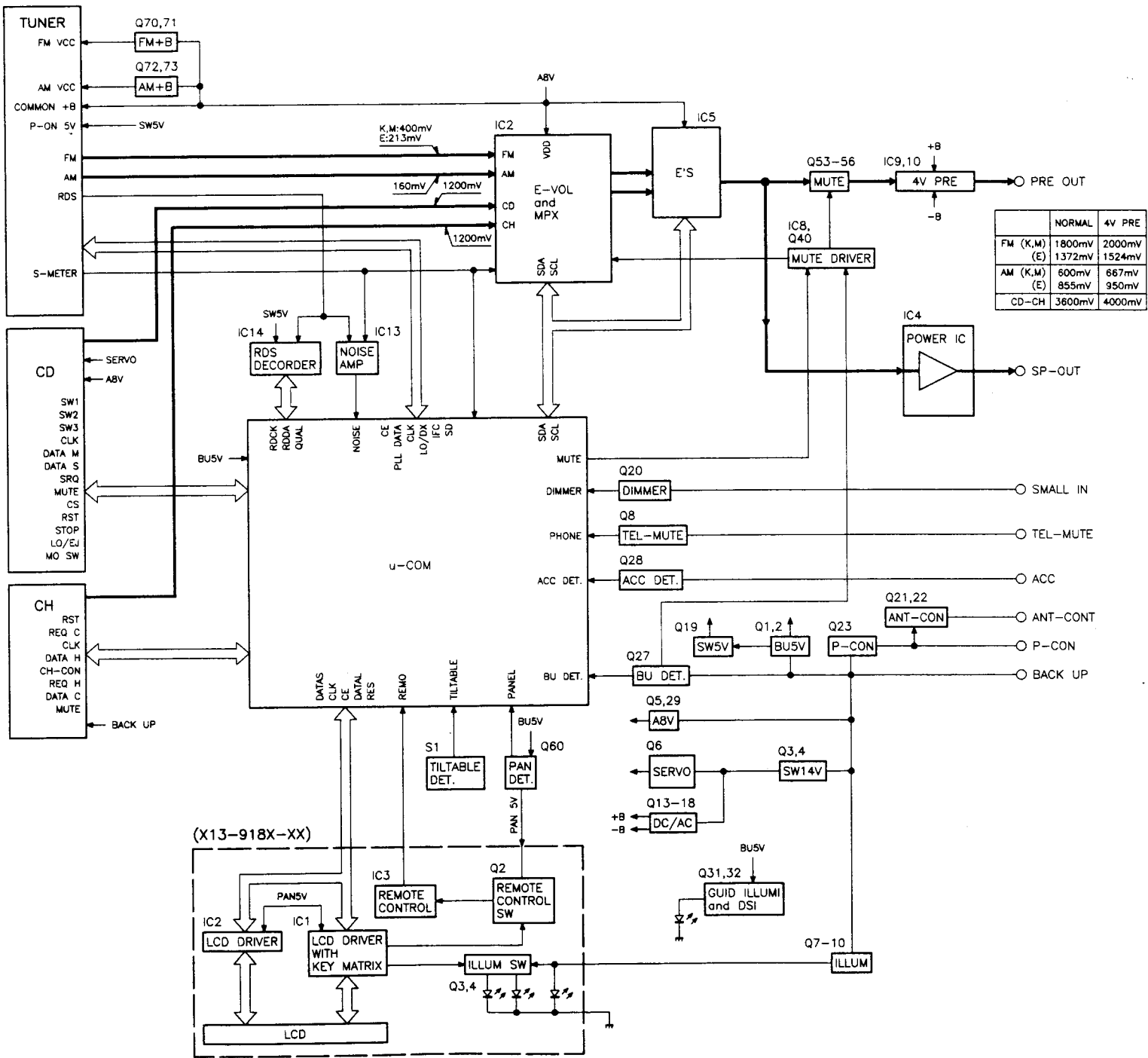
Photo is KDC-6060R



CONTENTS

BLOCK DIAGRAM	3	EXPLODED VIEW (MECHANISM)	25
COMPONENTS DESCRIPTION	4	EXPLODED VIEW (UNIT)	26
MICROCOMPUTER'S DESCRIPTION	6	PARTS LIST	28
TEST MODE AND ADJUSTMENT	9	SPECIFICATIONS	Back cover
PC BOARD	10		
SCHEMATIC DIAGRAM	17		

KDC-5010/6009/PS709/6060R/RV BLOCK DIAGRAM



KDC-5010/6009/PS709/6060R/RV

COMPONENTS DESCRIPTION

●SWITCH UNIT(X13-9180-XX)

Component	Component Name	Application/Function	Operation/Condition/Compatibility
IC1	LC75883E	LCD driver with key scan function	Drive the LCD and key scan
IC2	LC75833E	LCD driver	Drive the LCD
IC3	PAS-B06B1FE	Remote control light sensor	Receive remote control light
Q1	DTA114EK	Distinguish of High End and Low End Model	
Q2	DTA114EK	SW	IC3 ON/OFF
Q3	2SD2114K	SW	LED(Amber) ON/OFF
Q4	2SD2114K	SW	LED(Green) ON/OFF

●ELECTRIC UNIT(X25-8010-XX)

Component	Component Name	Application/Function	Operation/Condition/Compatibility
IC1	UPD784214GF507	System μ -COM	
IC2	TDA7461D	E-Vol & NC MPX	
IC3	BR24C01AF	E ² PROM	
IC4	TDA7386	Power IC	40W X 4ch
IC5	TDA7435	HPF switching, NON-FAD switching	Variable high-pass filter, Non-Fader/Front switching
IC6	TC7660SE0A	Negative power supply	
IC7	PST9130NR	Reset IC	Detection voltage : 3.0V
IC8	TC74HC02AF	Muting logic circuit	
IC9 , 10	NJM4565M-TE2	4V OP AMP	
IC13	NJM4565M-TE2	Noise detection AMP	
IC14	TDA7479D	RDS decoder	
Q1	2SD601A	B.U 5V AVR	Darlington connected
Q2	2SB1565F(E,F)		
Q3	DTC144EK	SW 14V	ON when the base of Q3 goes "H" while power is ON
Q4	DTA124EK		
Q5	2SB1184	AUDIO 8V AVR	Darlington connected
Q29	2SD601A		
Q6	2SD2396F40	SERBO +B AVR	
Q7	DTC144EK		
Q8	DTA124EK	illumination AVR	ON when the base of Q7 goes "H"
Q9	2SD601A		
Q10	2SB1184		
Q11	2SB1443	4V output OP AMP power	
Q12	2SD601A		
Q13,15,17	2SA1037K	+/- power regulation circuit	
Q14 , 18	2SD601A		
Q19	2SA1036K	SW 5V	ON when the base goes "L" while power is ON
Q20	DTC144EK	Dimmer SW	ON when the small lamp is lighted while power is ON
Q21	2SB1277(Q,R)	P-ANT SW	P-ANT is output when the base of Q22 goes "H"
Q22	DTC1147YK		
Q23	2SB1277(Q,R)	P-CON SW	P-CON is output when the base of Q26 goes "H"
Q26	DTC1147YK		
Q24	2SA1037K	P-CON protection circuit	Activates when the P-CON output voltage drops
Q25	DTA124EK		
Q27	2SD601A	B.U detection	Detects the back-up voltage
Q28	2SD601A	ACC detection	Detects the Acc voltage
Q31	2SD601A	DSI driver	DSI is lit when the base goes "H"

KDC-5010/6009/PS709/6060R/R COMPONENTS DESCRIPTION

Component	Component Name	Application/Function	Operation/Condition/Compatibility
Q32	2SD601A	Eject illumination driver	Eject illumination is lit when the base goes "H"
Q40	DTA124EK	Mute driver	Muting is applied when the base goes "L"
Q41	DTC144EK	E-VOL muting	Muting is applied when the base goes "H"
*1 Q53 - 56	2SD601A	Muting	Audio output is muted when the base goes "H"
*2 Q53 - 56	2SD2114K	Muting	Audio output is muted when the base goes "H"
Q57	DTC144EK	SVR SW	
Q60	2SA1037K	Panel opening/closing detection	ON when the base goes "L" when the panel is closed
Q61	DTA124EK	CH2 control	CH2 is turned ON when the base goes "L"
Q70	DTC124EK	FM power SW	FM+B is turned ON when the base of Q70 goes "H" during FM reception
Q71	2SB1277(Q,R)		
Q72	DTC124EK	AM power SW	AM+B is turned ON when the base of Q72 goes "H" during AM reception
Q73	2SB1277(Q,R)		
Q74	DTC124EK	FM Lo/Dx SW	
Q80	2SD601A	Noise buffer	
Q81	DTC1147TK	Noise detection	
Q82	DTA124EK		

*1 KDC-6009/5010/6060R/R

*2 KDC-PS709

●CD PLAYER UNIT(X32-4440-00)

Component	Component Name	Application/Function	Operation/Condition/Compatibility
IC1	AN8806SB	RF amplifier	Generation of RF signal based on the signals from the APC circuit and pickup, and generation of servo error(focusing error and tracking error) signals. Detection of dropout, anti-shock, track crossing and off-track conditions. / Included CD-text decoder
IC2	MN662748RPH	CD signal processor LSI	Focusing, tracking, sled and spindle servo processing. Automatic adjustment (focusing, tracking, gain, offset and balance) operations. Digital signal processing (DSP, PLL, sub-codes, CICR error correction, audio data interpolation) operations.
IC3	M38063M8D196FP	Mechanism control μ -com	
IC4	BA6790FP	BTL driver	Focusing coil, tracking coil and sled motor driver.
IC5	TA78L05F	3-pin regulator	Analog 5V generation
IC6	NJM4565MD	Active filter	Secondary LPF
IC8	LC3564ST-70	S-RAM (Memory IC)	Storage of CD-text data
IC9	TC7SH32F	CMOS OR GATE	Control signal(CE1) output to IC8
Q1	2SA1362(Y)	APC	
Q2	DTC124EUA	P-ON	
Q3	2SA1362(Y)	A.8V SW	
Q4	2SA1362(Y)	D.5V SW	
Q5	DTC124EUA	Q3 and Q4 SW	
Q6	2SA1576A	X1 oscillation stop	
Q10	DTC124EUA	Track cross(TRCRS) SW	ON during play

KDC-5010/6009/PS709/6060R/RV

MICROCOMPUTER'S DESCRIPTION

System μ -com : UPD784214GF(X25-8010-XX : IC1)

● Terminal description

Pin No.	Pin Name	I/O	Function	Description	Processing Operation
1	P60/A16	I	TYPE0	Destination type terminal 0	
2	P61/A17	I	TYPE1	Destination type terminal 1	
3	P62/A18	I	TYPE2	Destination type terminal 2	
4	P63/A19	O	CH RST	Changer reset output	Active : H
5	P64/RD	O	NC	(Not used)	
6	P65/WR	O	NC	(Not used)	
7	P66/WAIT	O	NC	(Not used)	
8	P67/ASTB	O	NC	(Not used)	
9	Vdd	-		Positive power supply terminal	
10	P100/TI5/TO5	O	P STBY	Power IC standby terminal	Power ON : H
11	P101/TI6/TO6	O	SVR	Power IC reset terminal	Power ON : L
12	P102/TI7/TO7	O	NC	(Not used)	
13	P103/TI8/TO8	O	P MUTE	Power IC muting terminal	Active : H
14	P30/TO0	O	ANT CON	Antenna control terminal	Active : H
15	P31/TO1	O	NC	(Not used)	
16	P32/TO2	I	DIMMER	Small lamp detection terminal	Active : L
17	P33/TI1	O	P CON	Power control terminal	Active : H
18	P34/TI2	I	ACC DET	Acc detection terminal	ACC OFF : H
19	P35/TI00	I	REMO	Remote control input terminal	
20	P36/TI01	O	P ON	μ -com peripheral power terminal	Active : H
21	P37	I	BU DET	Momentary power down detection terminal	Momentary power down : H
22	TEST	-	TEST	Test terminal	
23	P90	I/O	IC2 SDA	IC2, IC5, EEPROM data line	
24	P91	O	IC2 SCK	IC2, IC5, EEPROM clock line	
25	P92	O	MUTE	Muting terminal	Active : H
26	P93	O	SW5	5V power supply terminal	Active : L
27	P94	O	NC	(Not used)	
28	P95	O	CHCON2	Changer 2 control terminal	Active : L
29	P120/RTP0	O	CHCON1	Changer 1 control terminal	Active : H
30	P121/RTP1	I	CH MUTE	Changer muting input terminal	Muting Requested : H
31	P122/RTP2	O	REQH	Handshake request to changers	Active : L
32	P123/RTP3	O	ILL ON	Illumination output terminal	Active : H
33	P124/RTP4	O	DSI	DSI output terminal	Active : H
34	P125/RTP5	I	CD SW2	12cm disc detection switch terminal	ON : L
35	P126/RTP6	I	CD SW1	Loading switch detection terminal	ON : L
36	P127/RTP7	I	M DATAM	Data line from CD mechanism	
37	Vdd	-		Positive power supply terminal	
38	X2	-		Main clock connection terminal	
39	X1	-		Main clock connection terminal	
40	Vss	-		GND	
41	XT2	-		Sub clock connection terminal	
42	XT1	-		Sub clock connection terminal	
43	RESET	I		Reset input terminal	Active : L
44	P00/INTP0	O	NC	Reset output to changers	Active : H
45	P01/INTP1	I	R CLK	RDS clock input terminal	
46	P02/INTP2/NMI	I	REQC	Handshake request from changers	Active : L
47	P03/INTP3	I	EJECT	Eject switch	Active : L
48	P04/INTP4	O	M CLK	Clock line to CD mechanism	
49	P05/INTP5	O	M DATAS	Data line to CD mechanism	
50	P06/INTP6	I	M SRQ	Handshake request from CD mechanism	Requested : \uparrow

KDC-5010/6009/PS709/6060R/RV MICROCOMPUTER'S DESCRIPTION

Pin No.	Pin Name	I/O	Function	Description	Processing Operation
51	AVdd	-		A/D analog power supply terminal	
52	AVref0	-		A/D reference voltage input terminal	
53	P10/ANI0	I	PHONE	Phone detection terminal	1V or less : PHONE 2.5V or more : NAVI MUTE
54	P11/AINI1	I	NC	Input GND shorted	
55	P12/ANI2	I	NOISE	FM noise detection terminal	
56	P13/ANI3	I	SMETER	FM signal meter detection terminal	
57	P14/ANI4	I	NC	Input GND shorted	
58	P15/ANI5	I	NC	Input GND shorted	
59	P16/ANI6	I	TILT DET	Tilt-able panel detaching detection terminal	Panel detached : H
60	P17/ANI7	I	M MUTE	Muting request from CD mechanism	Muting Requested : L
61	Avss	-		A/D GND terminal	
62	P130/AN00	O	M CS	Handshake request to CD mechanism	Requested : L
63	P131/AN01	O	M RST	Reset output to CD mechanism	Reset : L
64	AVref1	-		D/A reference voltage input terminal	
65	P70/RxD2/SI2	I	DATA C	Data line from changers	
66	P71/TxD2/SO2	O	DATA H	Data line to changers	
67	P72/ASCK2/SCK2	I/O	CH CLK	Clock line from/to changers	
68	P20/RxD1/SI1	I	L DATA L	Data line to LCD driver	
69	P21/TxD1/SO1	O	L DATA S	Data line from LCD driver	
70	P22/ASCK1/SCK1	O	L CLK	Clock line to LCD driver	
71	P23/PCL	O	M STOP	Stop request to CD mechanism	Stop Requested : L
72	P24/BUZ	O	BEEP	Beep output terminal	Active : H
73	P25/SI0/SDA0	O	PLL CE	CE output to PLL	
74	P26/SO0	O	PLL DATA	Data input/output with PLL	
75	P27/SCK0/SCL0	O	PLL CLK	Clock output to PLL	
76	P80/A0	I	CD SW3	DOWN switch detection terminal	ON : H
77	P81/A1	I/O	LO/EJ	CD mechanism Loading/Eject switching output terminal	Loading : L / Eject : H
78	P82/A2	O	MOSW	CD mechanism motor output terminal	Loading : H / Eject : L
79	P83/A3	O	L RES	(Not used)	
80	P84/A4	O	L CE	CE output to LCD driver	
81	P85/A5	I	PANEL	Panel tilting detection terminal	Panel tilted : H
82	P86/A6	O	EJECT ILL	Eject switch illumination terminal	Active : H
83	P87/A7	O	NC	(Not used)	
84	P40/AD0	I	QUAL	RDS receiving condition	
85	P41/AD1	I	R DATA	RDS data input terminal	
86 - 89	P42 - 45/AD2 - 5	O	NC	(Not used)	
90	P46/AD6	I	FM SD	FM SD input terminal	Station detected : H Not detected : L
91	P47/AD7	O	NC	(Not used)	
92	P50/A8	O	AFC	Noise detection time constant switching terminal	During reception : H During search : L
93	P51/A9	O	LO/DX	LOCAL output terminal	Local : H / Normal : L
94	P52/A10	O	NC	(Not used)	
95	P53/A11	O	NC	(Not used)	
96	P54/A12	O	AM+B	AM power terminal	Active : H
97	P55/A13	O	FM+B	FM power terminal	Active : H
98	P56/A14	I	ST TYPE0	IC2 Ver.2 destination type terminal 0	Initial value : L
99	P57/A15	I	ST TYPE1	IC2 Ver.2 destination type terminal 1	Initial value : L
100	Vss	-		GND	

KDC-5010/6009/PS709/6060R/RV

MICROCOMPUTER'S DESCRIPTION

Mechanism control μ -com : M38027M8D196FP(X32-4440-00 : IC3)

●Terminal description

Pin No.	Pin Name	I/O	Function	Pin type	Description	Logic
1	P62/AN2	I	SW3	Normal input	Thread detection terminal	L:Innermost Circumference
2	P61/AN1	I	FLOCK	Normal input	Focus servo lead-in signal of servo IC	L:Lead-in OK
3	P60/AN0	I	SENSE	Normal input	Servo IC's sensing signal of servo IC	
4	P57/INT3	I	CS	Schmidt input	Terminal for communication request from system μ -com	
5	P56/PWM	O	MLD	Push-pull	Servo IC's μ -com command load signal	
6	P55/CNTR1	O	MDATA	Push-pull	Servo IC's μ -com command data signal	
7	P54/CNTR0	O	MCLK	Push-pull	Servo IC's μ -com command clock signal	
8	P53/SRDY2	O	PON	Push-pull	Servo system IC's audio power (8V) and digital power(5V) control terminal. Oscillation control terminal of clock (16.93MHz) for servo IC	L:Power OFF (Oscillation stop) H:Power ON
9	P52/SCLK2	O	SCLK	Push-pull	CD-TEXT data read out shift clock signal	
10	P51/SOUT2	O	NC	Push-pull	Not used	
11	P50/SIN2	I	SRDT	Schmidt input	CD-TEXT read out data signal	
12	P47/SRDY1	O	SRQ	Push-pull	Terminal for communication request to mechanism μ -com	
13	P46/SCLK1	I	CLK	Schmidt input	Terminal for clock from system μ -com	
14	P45/TxD	O	DATAM	Push-pull	Mechanism μ -com data terminal	
15	P44/RxD	I	DATAS	Schmidt input	Terminal for data from system μ -com	
16	P43/INT2	I	BLKCK	Schmidt input	Servo IC's sub code block clock signal	
17	P42/INT1	I	MSTOP	Schmidt input	Standby control terminal for mechanism μ -com	L:Standby(Stop)
18	CNVss	-	CNVss	-	μ -com operating mode control	L:Internal ROM H:External ROM
19	RESET	I	MRST	-	Mechanism μ -com reset terminal	L:Reset
20	P41/INT0	O	AMUTE	Push-pull	Analog mute terminal for connection to system μ -com	L:ON , H:OFF
21	P40/INT4	I	DQSY	Schmidt input	CD-TEXT read out approved output terminal	
22	Xin	I	Xin	-	μ -com's main clock (8.38MHz)	
23	Xout	O	Xout	-	μ -com's main clock (8.38MHz)	
24	Vss	-	Vss	-	Power supply terminal (GND)	
25 - 32	P27 - 20/ DB7 - 0	I/O	DB7 - 0	Push-pull Normal input	External memory data bus (bit7 - 0)	
33 - 40	P17 - 10/ AD15 - 8	O	AD15 - 8	Push-pull	External memory address bus (bit15 - 8)	
41 - 48	P07 - 00 /AD7 - 0	O	AD7 - 0	Push-pull	External memory address bus (bit7 - 0)	
49	P37/RD	O	RD	Push-pull	External memory control bus	
50	P36/WR	O	WR	Push-pull	External memory control bus	
51	P35/SYNC	I/O	-	Push-pull Normal input	Not used	
52	P34/ ϕ	I/O	ASEL	Push-pull Normal input	Servo IC DAC output polarity switching	
53	P33 /RESETOUT	I	TESTIN	Normal input	SRAM check test mode ON/OFF switching terminal	L:ON , H:OFF
54	P32/ONW	I	ONW	Normal input	External memory access time selection terminal	L:One weight H:Unused
55	P31/DA2	O	TESTOUT	Push-pull	SRAM check result output terminal	
56	P30/DA1	O	SEARCH	Push-pull	Servo IC's gain switching control terminal	
57	Vcc	-	Vcc	-	Power supply terminal (+5V)	
58	Vref	-	Vref	-	Not used	
59	AVss	-	AVss	-	GND	
60	P67/AN7	O	RST	Push-pull	Servo system's reset terminal, also used at time of power rise	L:Reset
61	P66/AN6	I	STAT	Normal input	Servo IC's status signal, and also for monitor during control	
62	P65/AN5	O	DMUTE	Push-pull	Servo IC's digital mute terminal	H:ON
63	P64/AN4	I	SUBQ	Normal input	Servo IC's sub code Q code input	
64	P63/AN3	O	SQCK	Push-pull	External clock output for servo IC's sub code Q register	

KDC-5010/6009/PS709/6060R/RV

TEST MODE AND ADJUSTMENT

•TEST MODE AND ADJUSTMENT

1. To enter test mode

While holding the **[FM]** key and preset **[6]** key, reset the unit.

All indication segments are ON at the beginning of test mode.

2. To release test mode

Simply reset the unit.

(NOTE):

The test mode is not canceled by ACO OFF, power OFF, momentary power down or the panel detaching.

3. FM signal meter voltage adjustment

- 1) Enter test mode.
- 2) Receive 98.1MHz with the SG and set the ANT input level to 35dB μ . The modulation should be off during this.
- 3) While holding preset **[1]** key, press and hold preset **[6]** key for a few seconds.
- 4) "ADJ OK" is displayed if the adjustment is OK and "ADJ NG" is displayed if it is not good.

4. AM SD voltage writing

- 1) Enter test mode.
- 2) Receive 999kHz or 1000kHz with the SG and set the ANT input level to 35dB μ . The modulation should be off during this.
- 3) While holding preset **[1]** key, press and hold preset **[6]** key for a few seconds to write the SD voltage.

5. CD receiver test mode specification

Pressing the **[▶▶]** key jumps between tracks in the following order.

No.9 → No.15 → No.10 → No.11 → No.12
→ No.13 → No.14 → No.19 (Same as the beginning)

Pressing the **[◀◀]** key jumps to the previous track to the track being played.

6. Audio adjustments

- The volume is set to -10dB (which is shown as 30).
- The BASS/TREBLE and BALANCE/FADER controls can be set to the full boost/full cut and full front/full rear respectively by pressing the **[▲]** / **[▼]** keys.
- The high pass filter can be set to 220Hz/through by pressing the **[▲]** / **[▼]** keys.
- Note that, however, the non-fader control is varied in +1dB/ -1dB steps by pressing the **[▲]** / **[▼]** keys.

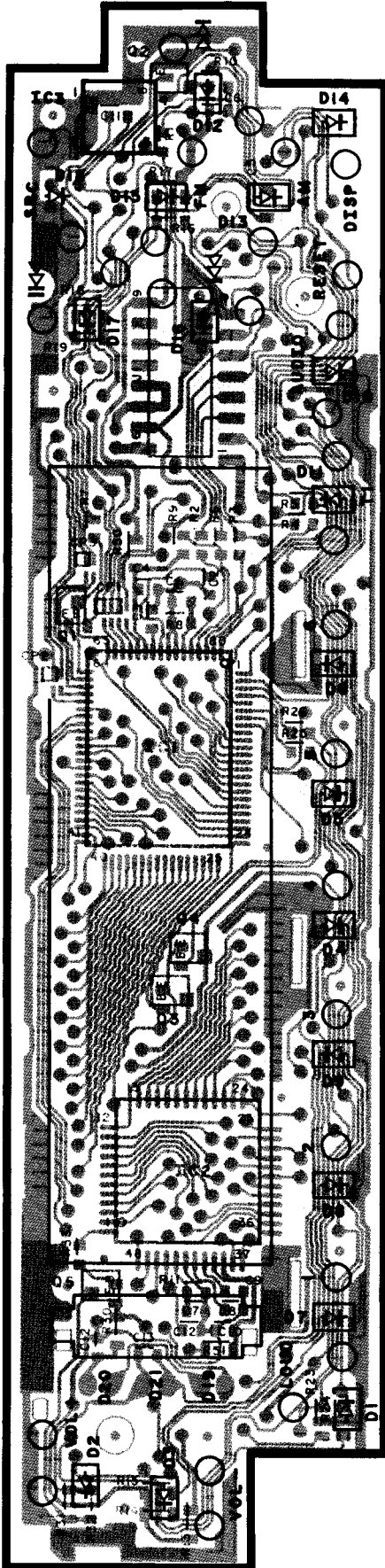
PC BOARD (Component side view) PC BOARD (Foil side view)

SWITCH UNIT (X13-9180-10)
X13-9180-10 (J74-0702-12)

SWITCH UNIT (X13-9180-10)
X13-9180-10 (J74-0702-12)

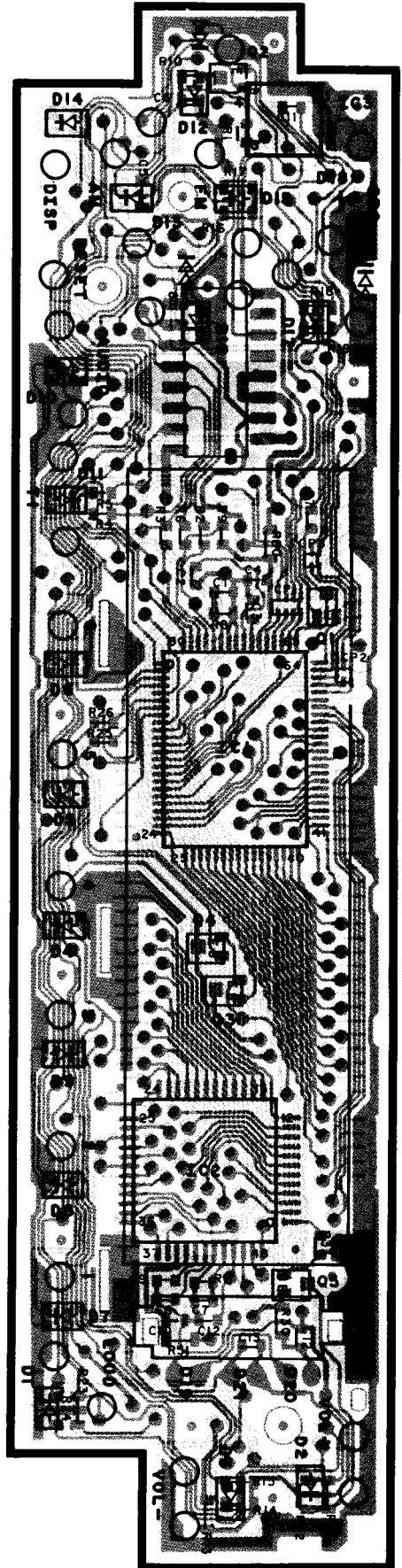
SWITCH UNIT
(X13-9180-10)

Ref.NO		Address
IC	Q	
1		4B
2		6B
3		2A
	1	3B
	2	1B
	3	5B
	4	5B
	5	6B



SWITCH UNIT
(X13-9180-10)

Ref.NO		Address
IC	Q	
1		4D
2		6D
3		2E
	1	3E
	2	1D
	3	5D
	4	5D
	5	6E



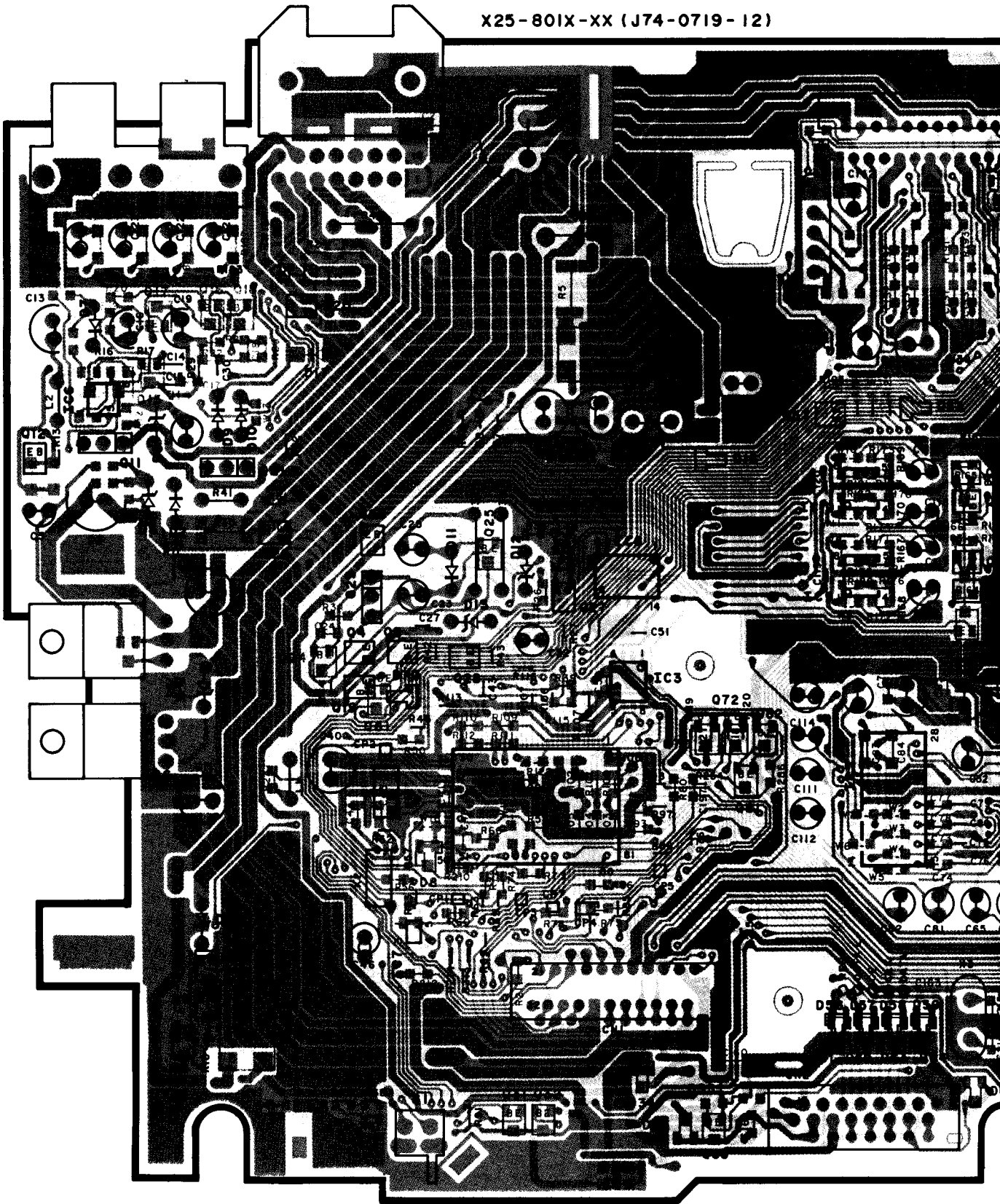
PC BOARD (Component side view)

ELECTRIC UNIT
(X25-801X-XX)

ELECTRIC UNIT (X25-801X-XX)

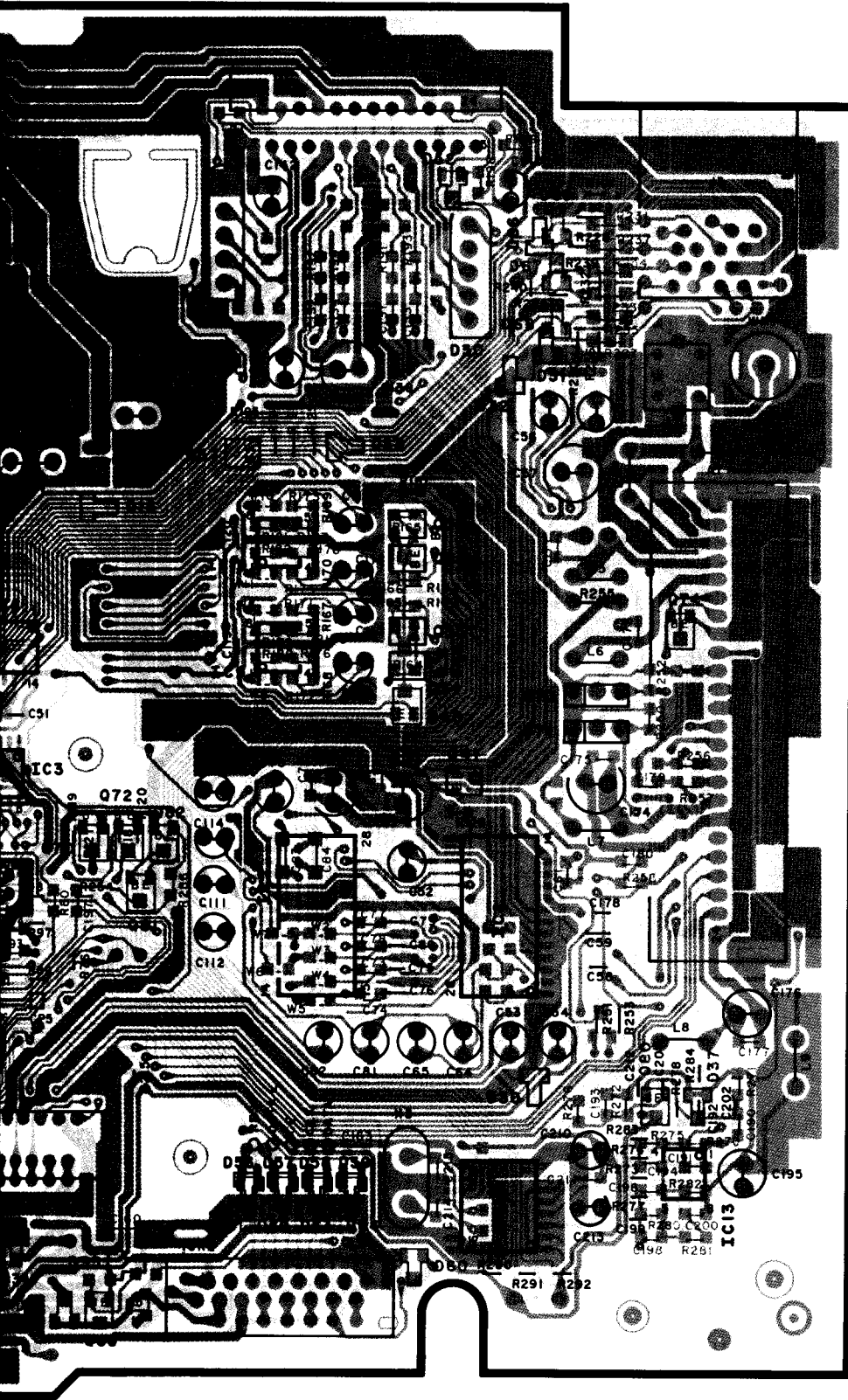
X25-801X-XX (J74-0719-12)

Ref. NO	Address
1	5I
2	5K
3	4I
4	2K
5	5K
6	3G
7	6H
8	4I
9	4K
10	4J
13	6L
14	6K
1	4G
2	4G
3	4H
4	4H
5	3I
6	5G
7	6H
8	6G
9	6G
10	6H
11	3G
12	3G
13	3G
14	3G
15	3G
16	3H
17	3G
18	3H
19	4H
20	3H
21	3H
22	4H
23	4H
24	4H
25	4I
26	4H
27	4I
28	4I
29	3J
31	6I
32	6I
40	4K
41	4K
53	4K
54	4K
55	3K
56	4K
57	3J
60	6J
61	4H
70	5J
71	4L
72	5J
73	4L
74	4L
80	6L
81	5J
82	5J



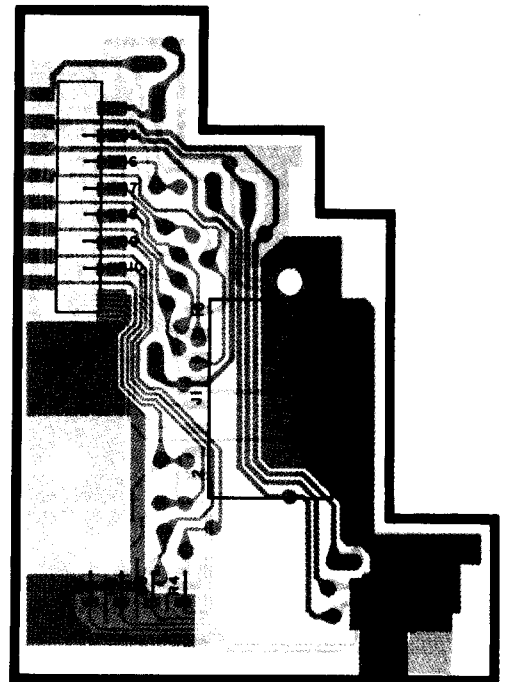
Refer to the sche

(J74-0719-12)



DAUGHTER UNIT (X89-2280-10)

X89-2280-10
(J74-0720-02)



Refer to the schematic diagram for the values of resistors and capacitors.

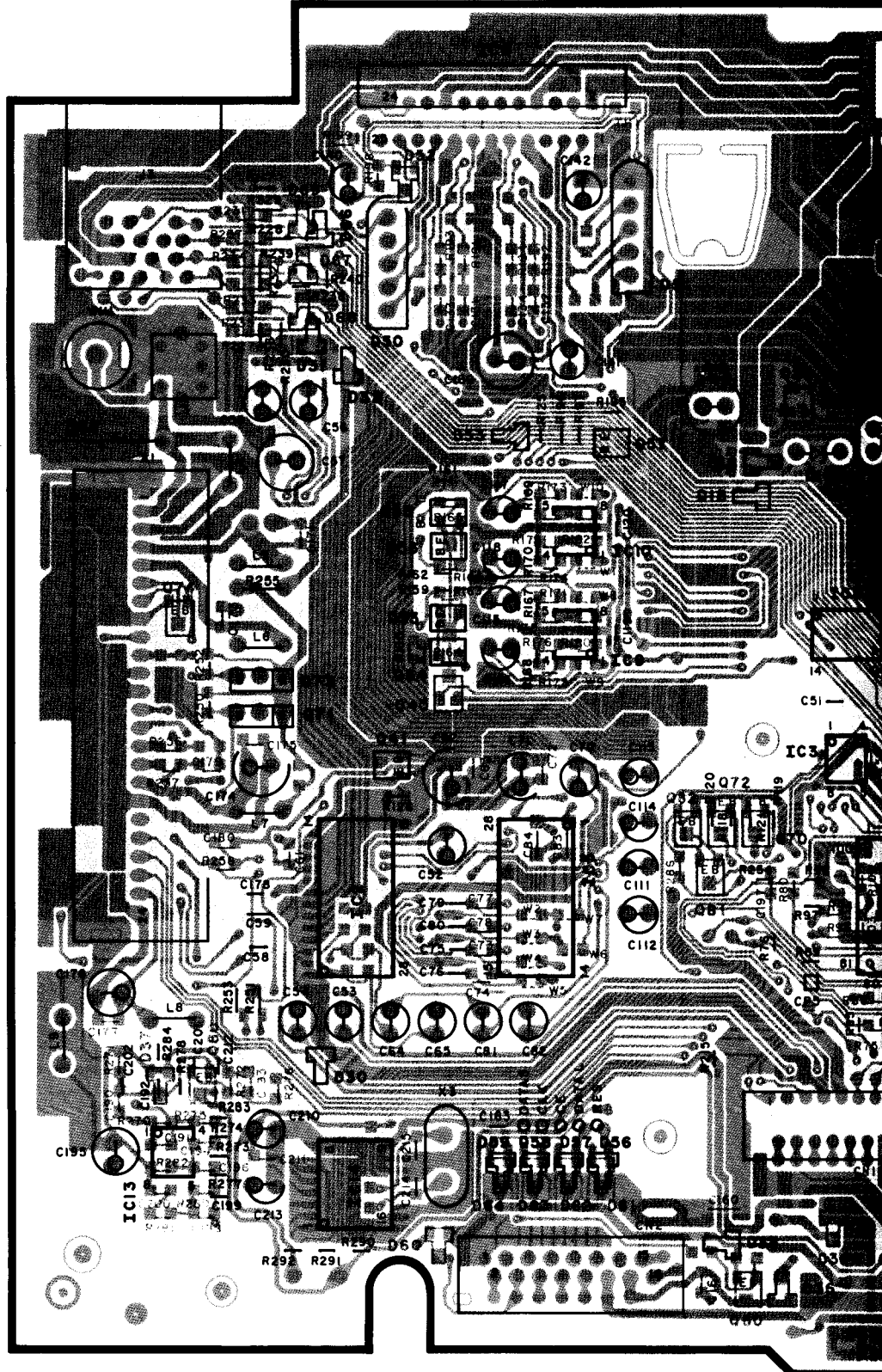
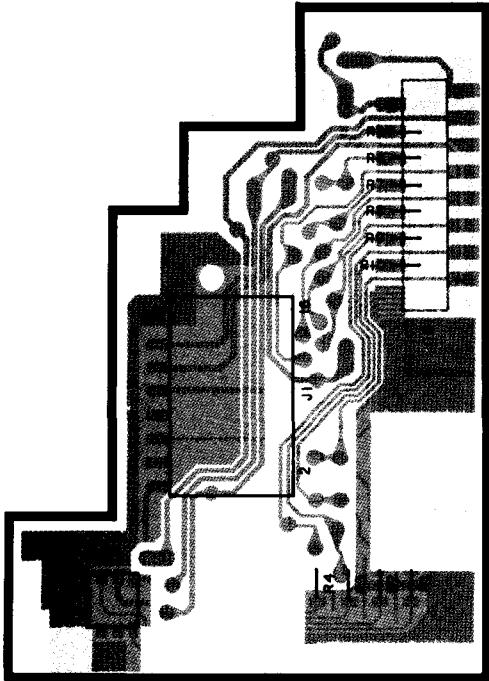
PC BOARD (Foil side view)

ELECTRIC UNIT (X25-801X-XX)

X25-801X-XX (J74-0719-12)

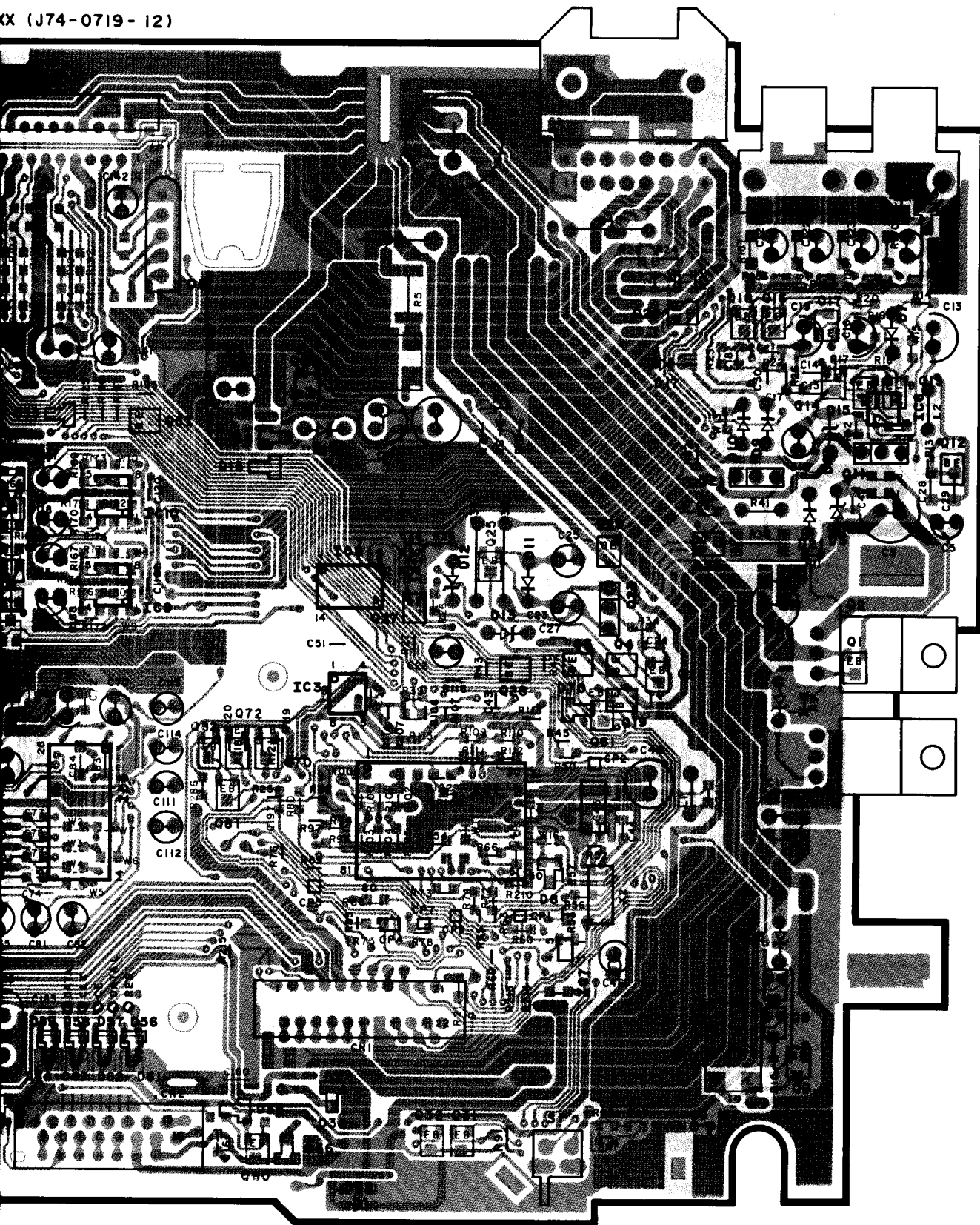
DAUGHTER UNIT (X89-2280-10)

X89-2280-10
(J74-0720-02)



Refer to the schematic diagram for the values of resistors and capacitors.

XX (J74-0719-12)



capacitors.

ELECTRIC UNIT
(X25-801X-XX)

Ref.NO	Address
1	5V
2	5S
3	4U
4	2T
5	5T
6	3X
7	6V
8	4U
9	4T
10	4T
13	6R
14	6S
1	4W
2	4W
3	4V
4	4V
5	3U
6	5W
7	6W
8	6W
9	6W
10	6W
11	3W
12	3X
13	3X
14	3W
15	3W
16	3W
17	3W
18	3W
19	4V
20	3W
21	3W
22	4W
23	4V
24	4W
25	4V
26	4V
27	4U
28	4V
29	3U
31	6V
32	6V
40	4S
41	4S
53	4S
54	4S
55	3S
56	4S
57	3T
60	6U
61	4V
70	5U
71	4S
72	5U
73	4S
74	4R
80	6S
81	5U
82	5T

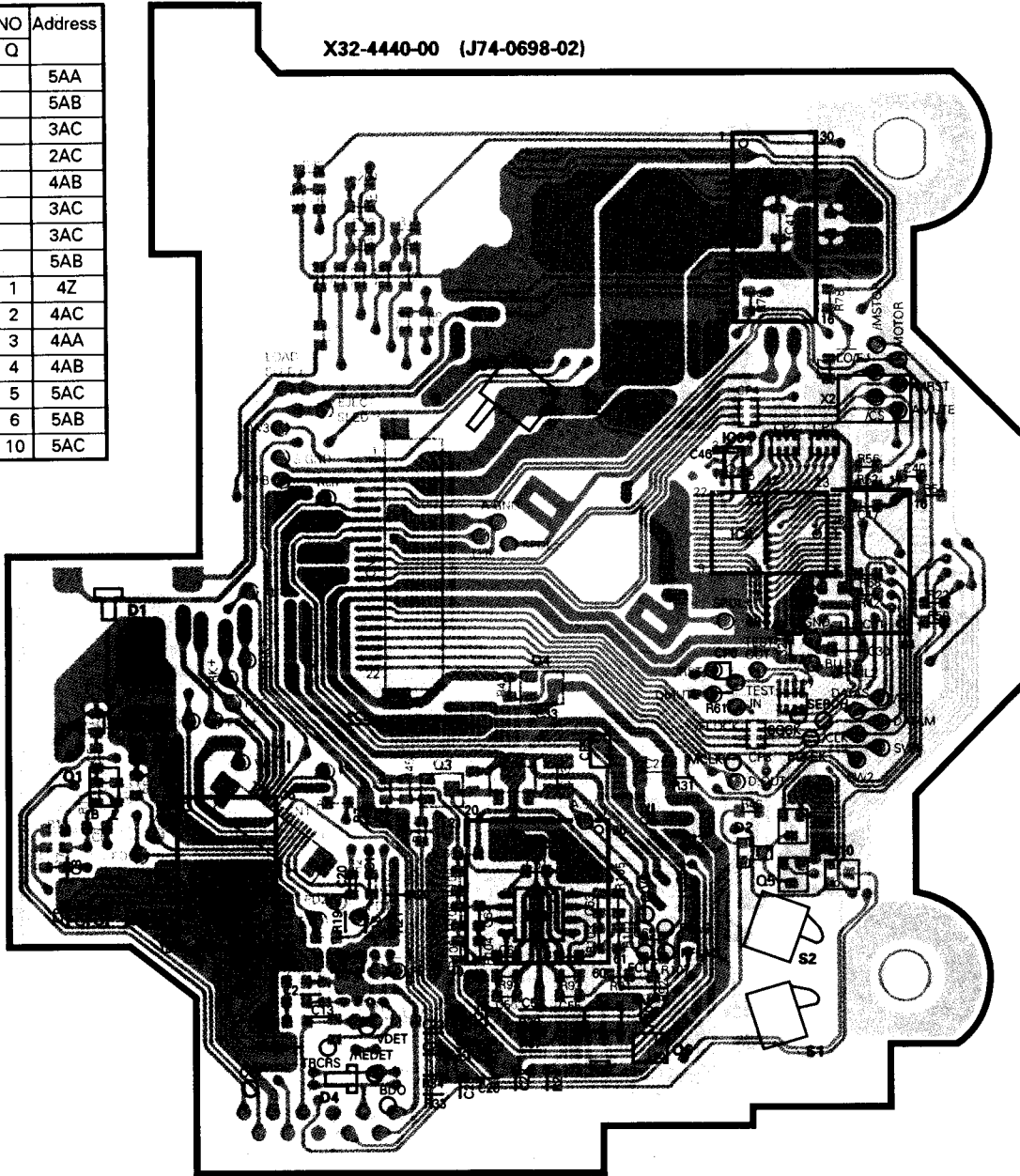
PC BOARD (Component side view)

CD PLAYER UNIT
(X32-4440-00)

CD PLAYER UNIT (X32-4440-00)

X32-4440-00 (J74-0698-02)

Ref.NO		Address
IC	Q	
1		5AA
2		5AB
3		3AC
4		2AC
5		4AB
6		3AC
8		3AC
9		5AB
	1	4Z
	2	4AC
	3	4AA
	4	4AB
	5	5AC
	6	5AB
	10	5AC



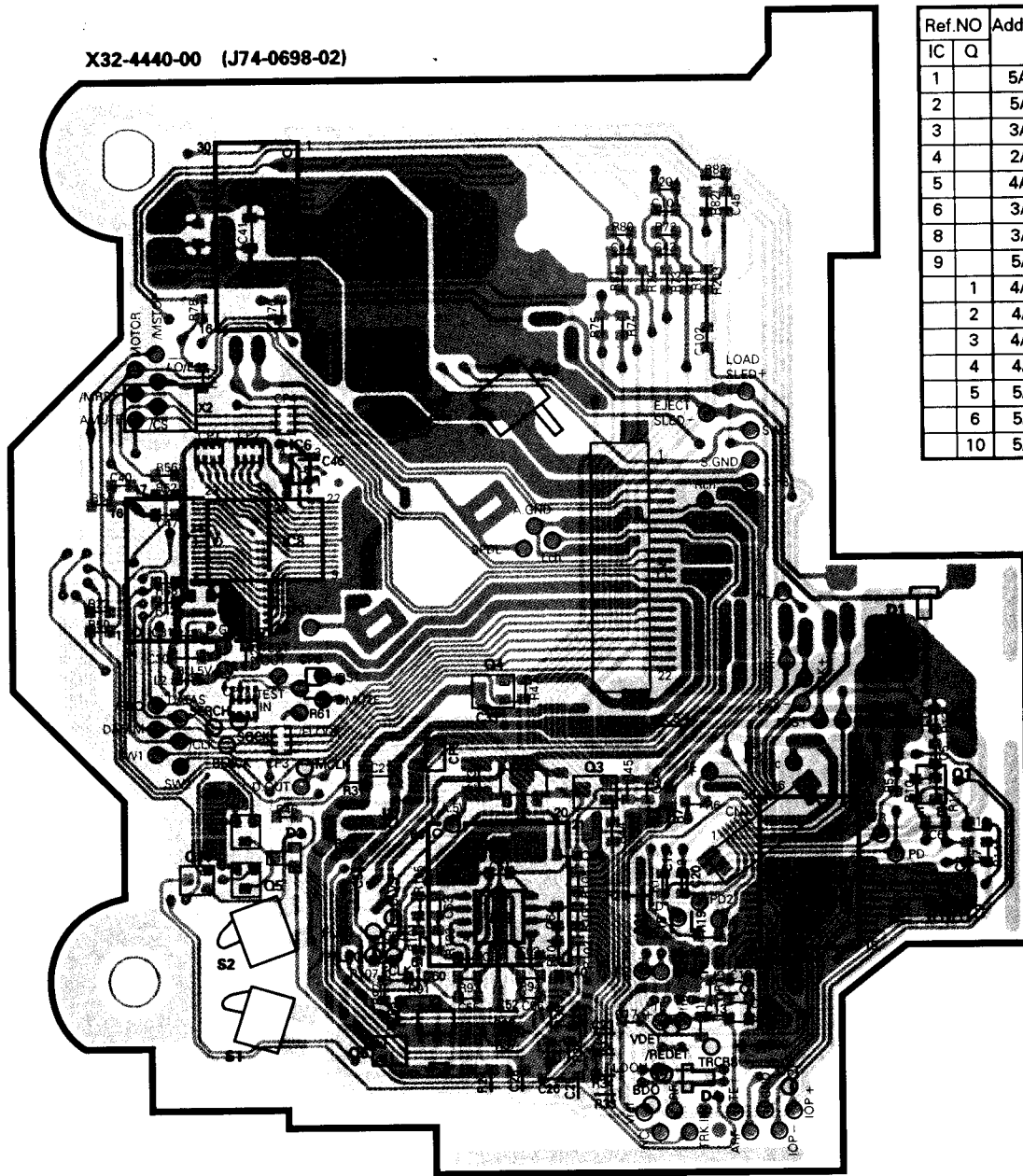
Refer to the schematic diagram for the values

PC BOARD (Foil side view)

CD PLAYER UNIT (X32-4440-00)

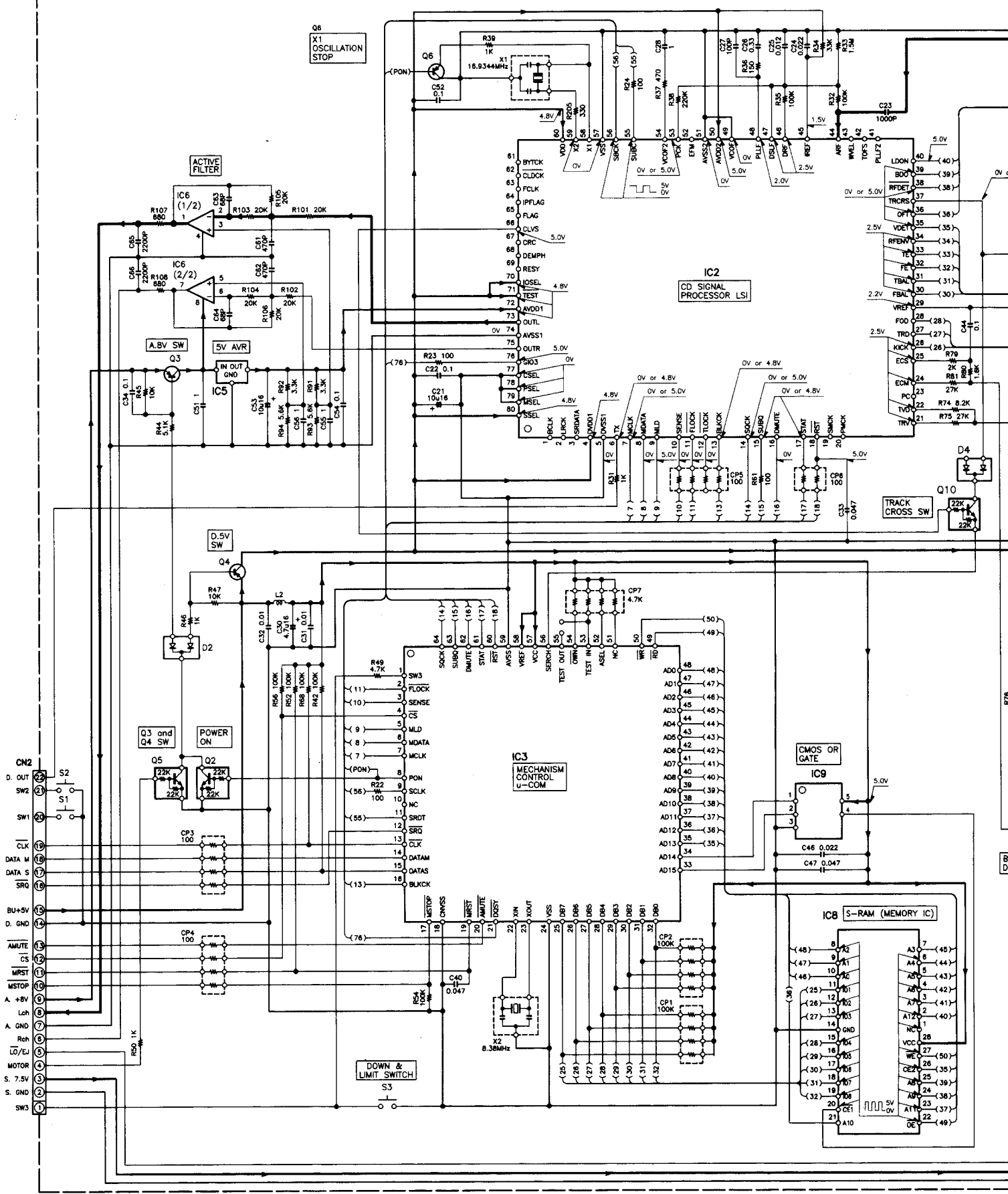
CD PLAYER UNIT (X32-4440-00)

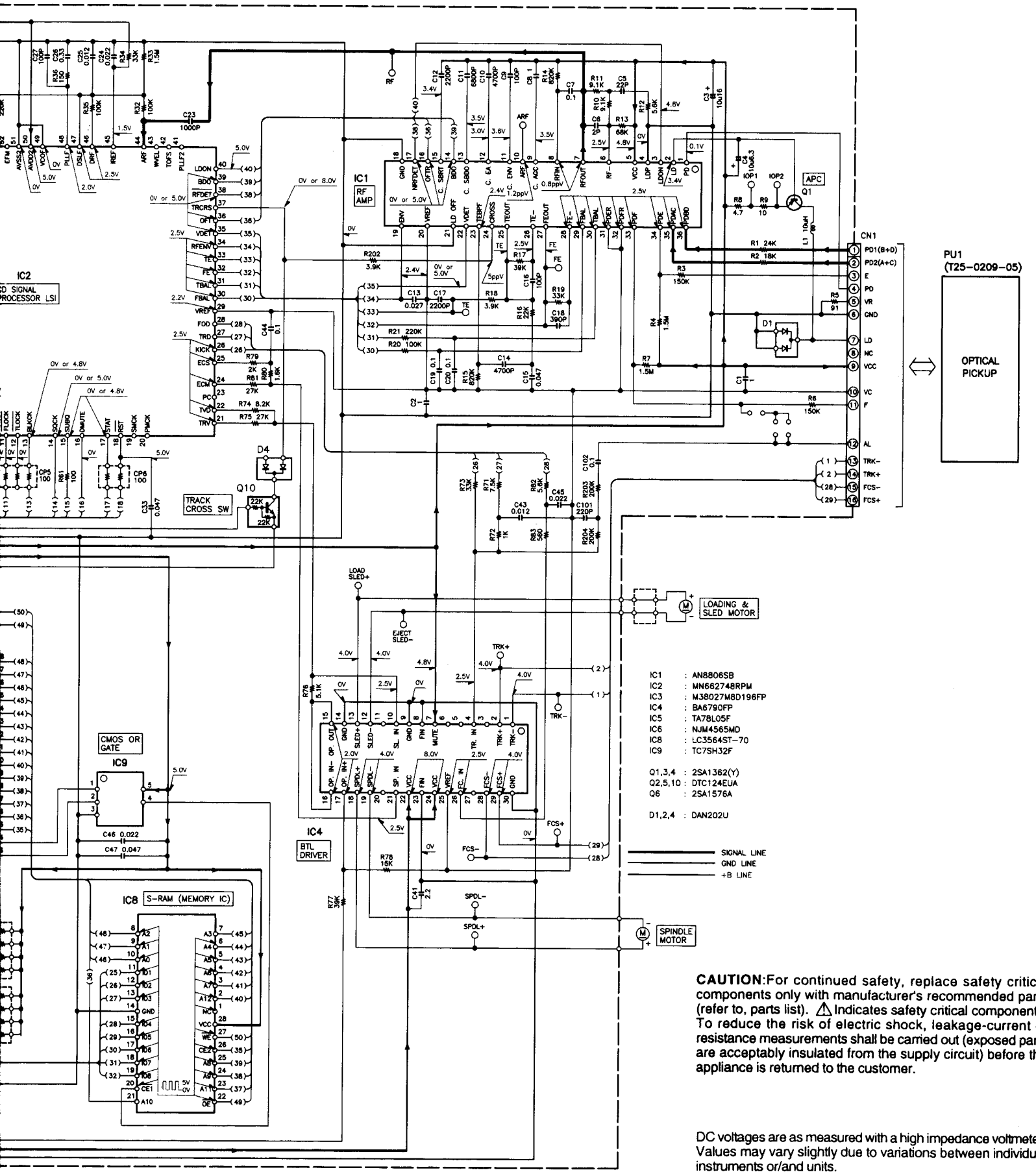
X32-4440-00 (J74-0698-02)



Ref.NO		Address
IC	Q	
1		5AH
2		5AF
3		3AE
4		2AF
5		4AG
6		3AF
8		3AF
9		5AF
	1	4AH
	2	4AF
	3	4AG
	4	4AF
	5	5AF
	6	5AF
	10	5AE

of resistors and capacitors.





- IC1 : AN8806SB
- IC2 : MN662748RPM
- IC3 : M38027M8D196FP
- IC4 : BA6790FP
- IC5 : TA78L05F
- IC6 : NJM4565MD
- IC8 : LC3564ST-70
- IC9 : TC75H32F

- Q1,3,4 : 2SA1362(Y)
- Q2,5,10 : DTC124EUA
- Q6 : 2SA1576A

- D1,2,4 : DAN202U

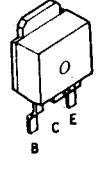
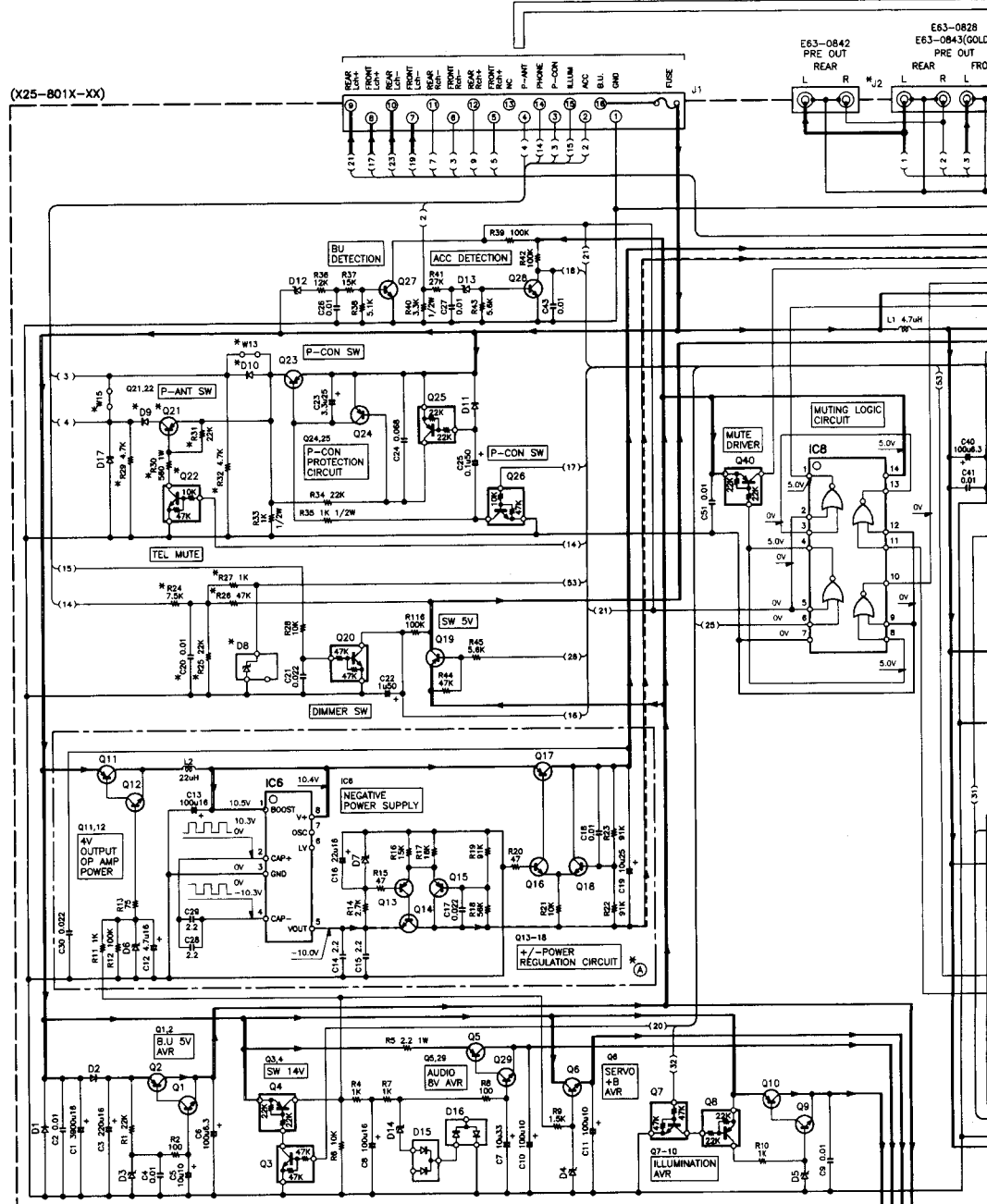
CAUTION: For continued safety, replace safety critical components only with manufacturer's recommended parts (refer to, parts list). Δ Indicates safety critical components. To reduce the risk of electric shock, leakage-current or resistance measurements shall be carried out (exposed parts are acceptably insulated from the supply circuit) before the appliance is returned to the customer.

DC voltages are as measured with a high impedance voltmeter. Values may vary slightly due to variations between individual instruments or/and units.

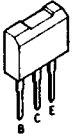
KDC-5010/6009/PS709/6060R/R

KENWOOD

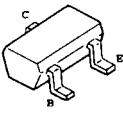
DTA114EK
DTA124EK
DTC114YK
DTC124EK
DTC144EK
2SA1036K
2SA1362
2SB709A
2SC2412K



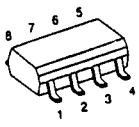
2SB1184



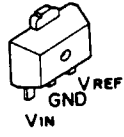
2SB1277



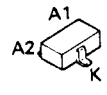
2SA1037K



NJM4565MD



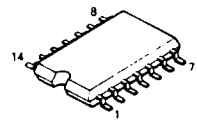
TA78L05F



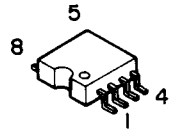
DAN202K



DA204K



TC74HC02AF



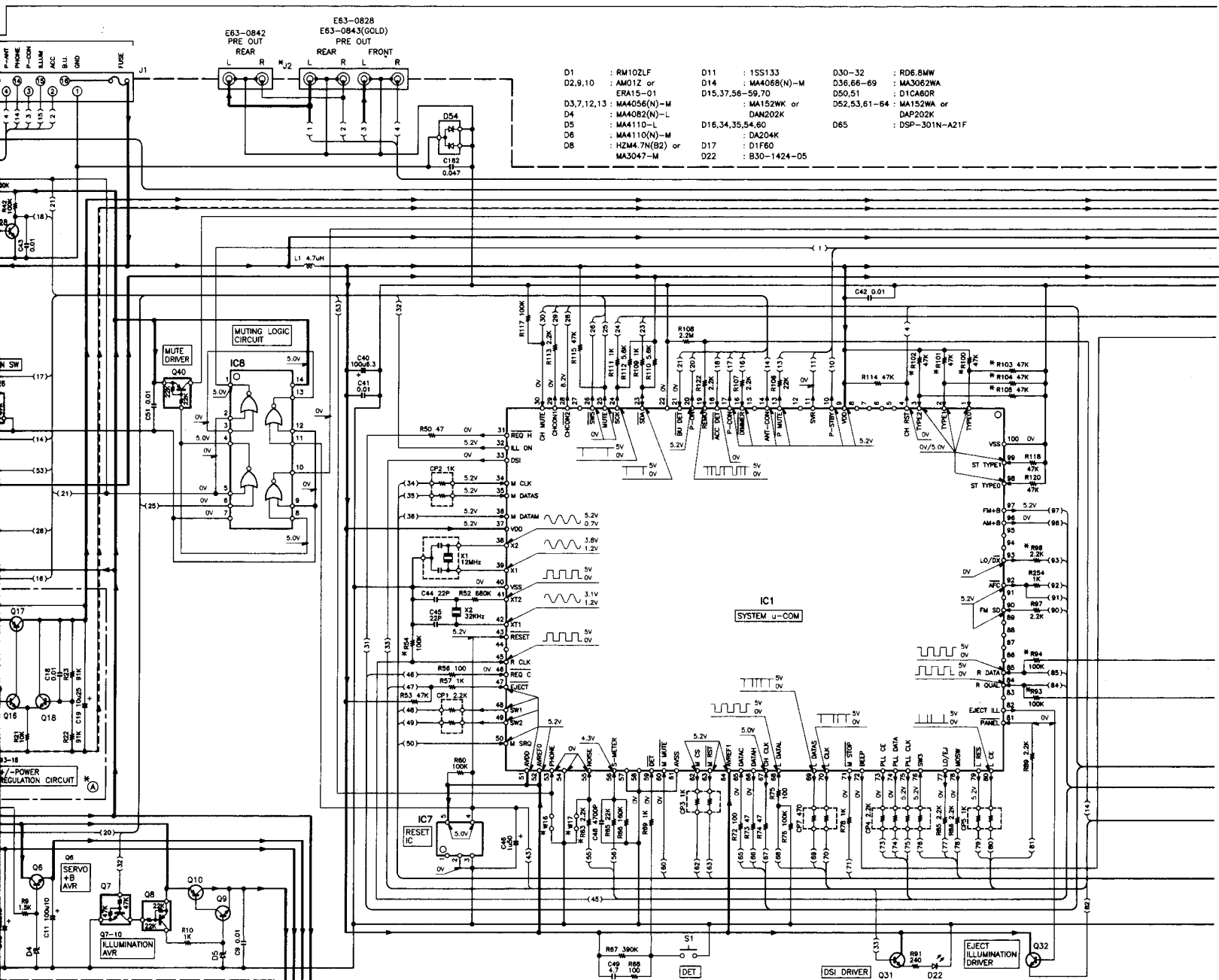
BR24C01AF

- IC1 : μPD784214GF507
- IC2 : TD74610
- IC3 : BR24C01AF
- IC4 : TD7386
- IC5 : TD7435
- IC6 : TC78605E0A
- IC7 : P5T9130NR
- IC8 : TC74HC02AF
- IC9,10,13 : NJM4565M-TE2
- IC14 : TDA7490
- Q1,9,12,14,16,18,27-29,31,32,80 : 2SD8601A or 2SC2412K
- Q2 : 2SB1565F(E,F)
- Q3,7,20,41,57 : DTC144EK or UN2213
- Q4,8,25,40,61,82 : DTA124EK or UN2112
- Q5,10 : 2SB1184
- Q6 : 2SD2396F40
- Q11 : 2SB1443
- Q13,15,17,24,60 : 2SA1037K or 2SB709A
- Q19 : 2SA1036K
- Q21,23,71,73 : 2SB1277(O,R)
- Q22,26 : DTC114YK or UN2214
- Q53-56 : *
- Q70,72,74 : DTC124EK or UN2212
- Q81 : DTC114TK or UN2215

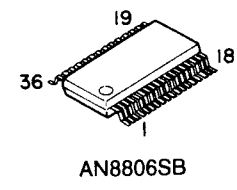
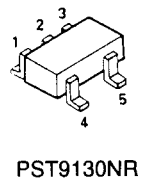
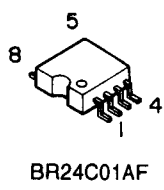
SIGNAL LINE
GND LINE
+B LINE
-B LINE

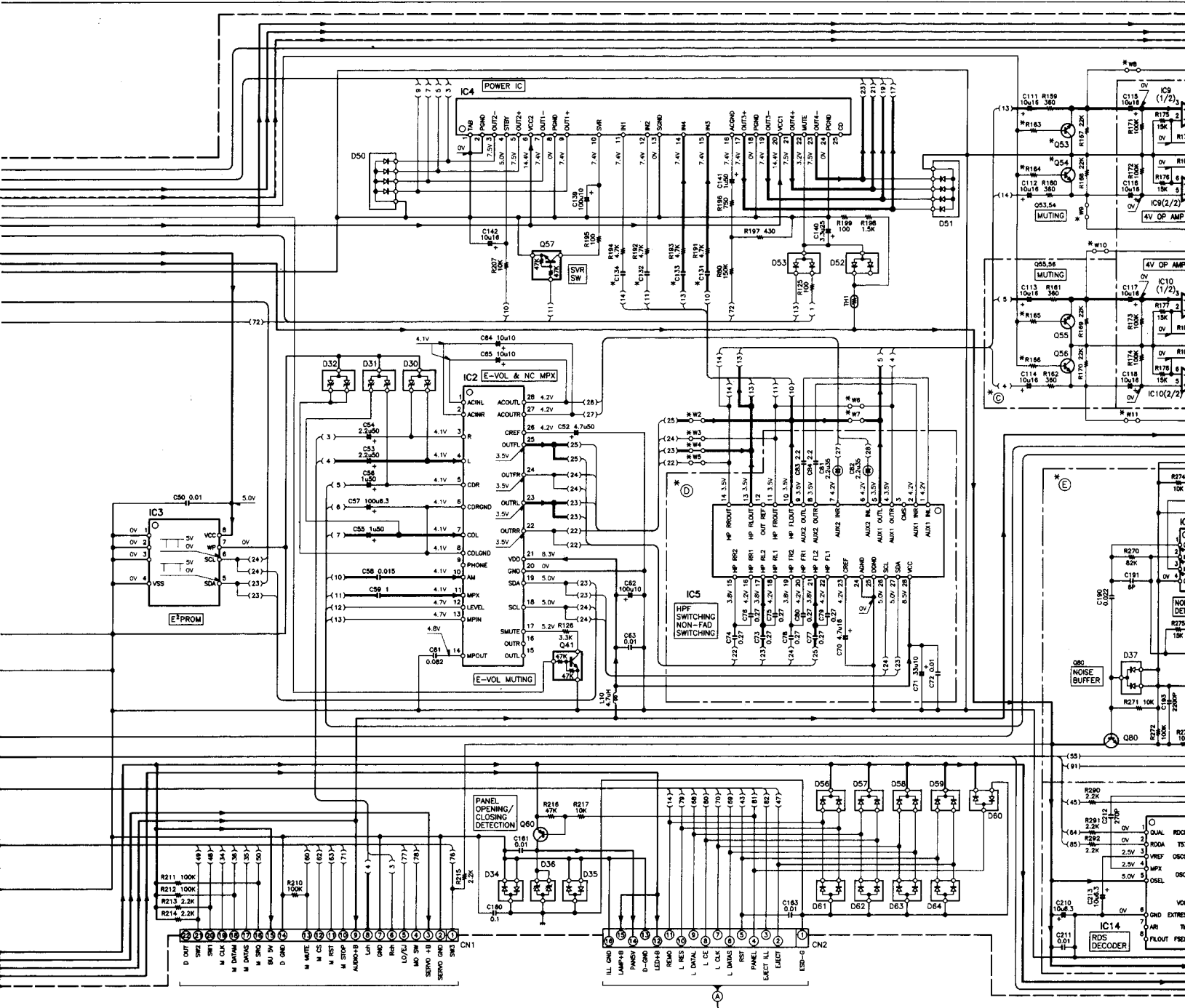
(X25-801X-XX)

MODEL NAME	LIMIT No.	A	B	C	D	E	F	A1	C20
KDC-8000	3-10	NO	NO	YES	NO	YES	NO	YES	W02-3118-06
KDC-5010	0-21	NO	NO	NO	YES	NO	NO	NO	W02-3118-03
KDC-6040R	2-71	NO	NO	NO	NO	YES	YES	YES	W02-3120-08
KDC-P370R	0-11	YES	YES	YES	YES	NO	YES	NO	W02-3118-06

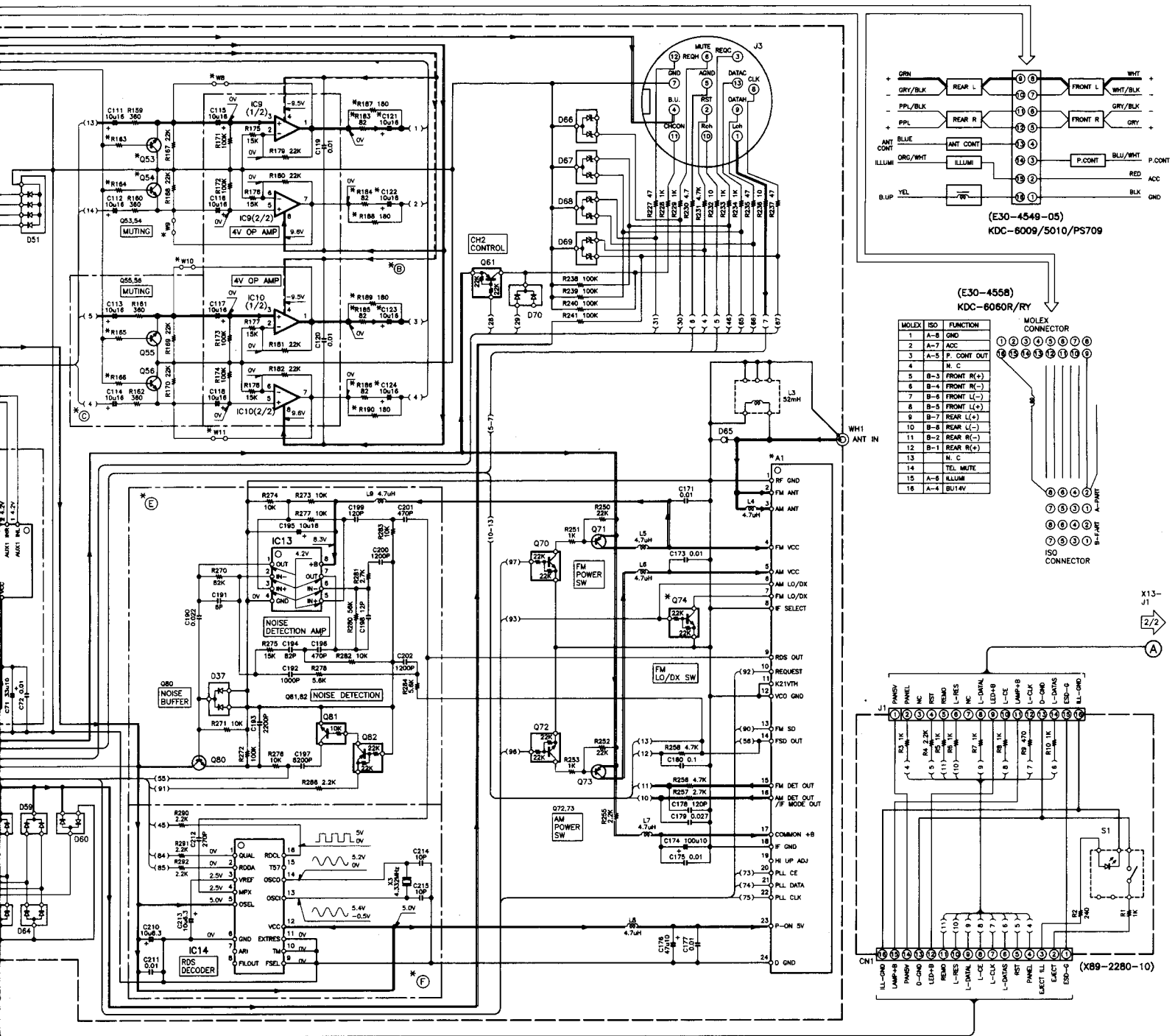


MODEL NAME	UNIT No.	(A)	(B)	(C)	(D)	(E)	(F)	A1	C20	C121-124	C131-134	D8,10	D9	J2	Q21,22	Q53,54	Q55,56	Q74	R24-27,32,53,68,102	R28-31,105	R54,93,94,101	R100	R103	R104	R163,164,168	R183-186	R187,188	R190	W2-11	W15	W15		
KDC-8000	0-10	NO	YES	NO	NO	YES	YES	W02-3119-05	NO	NO	0.12	NO	YES	E63-0828	YES	28D061A	28D061A	NO	NO	YES	YES	NO	NO	YES	4.7K	4.7K	NO	YES	YES	NO	NO	NO	
KDC-8510	0-21	NO	NO	YES	NO	NO	NO	W02-3119-08	NO	NO	0.12	NO	YES	E63-0828	YES	28D061A	28D061A	NO	NO	YES	YES	NO	NO	YES	4.7K	4.7K	NO	YES	YES	NO	NO	NO	
KDC-8040R	2-71	NO	NO	NO	NO	YES	YES	W02-3120-05	YES	NO	0.12	YES	NO	E63-0842	NO	28D061A	NO	YES	YES	NO	NO	NO	NO	YES	NO	NO	NO	NO	NO	NO	NO	NO	NO
KDC-80709	0-11	YES	YES	YES	YES	YES	YES	W02-3119-06	NO	YES	0.22	NO	YES	E63-0843	YES	28D2114K	28D2114K	NO	NO	YES	NO	NO	NO	YES	22K	22K	YES	NO	NO	NO	NO	NO	NO





CAUTION: For continued safety, replace safety components only with manufacturer's recommended components (refer to, parts list). Δ Indicates safety critical components. To reduce the risk of electric shock, leakage-current measurements shall be carried out (especially for Class II appliances which are acceptably insulated from the supply circuit) before the appliance is returned to the customer.



NOTE: For continued safety, replace safety critical components only with manufacturer's recommended parts (see parts list). Δ Indicates safety critical components. To reduce the risk of electric shock, leakage-current or voltage measurements shall be carried out (exposed parts suitably insulated from the supply circuit) before the power is returned to the customer.

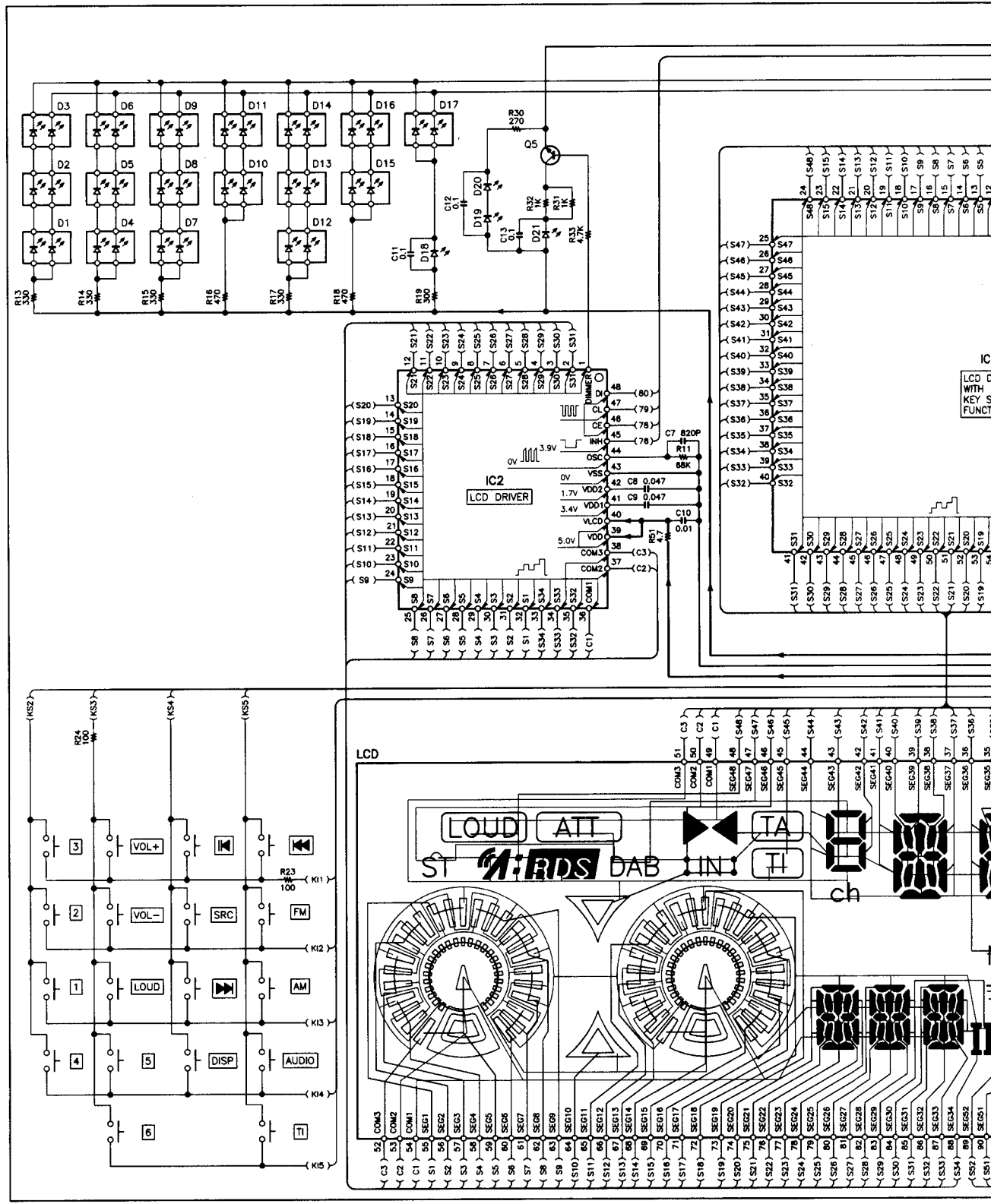
DC voltages are as measured with a high impedance voltmeter. Values may vary slightly due to variations between individual instruments or/and units.

KDC-5010/6009/PS709/6060R/R/Y

KENWOOD

X89-
J1
1/2
A

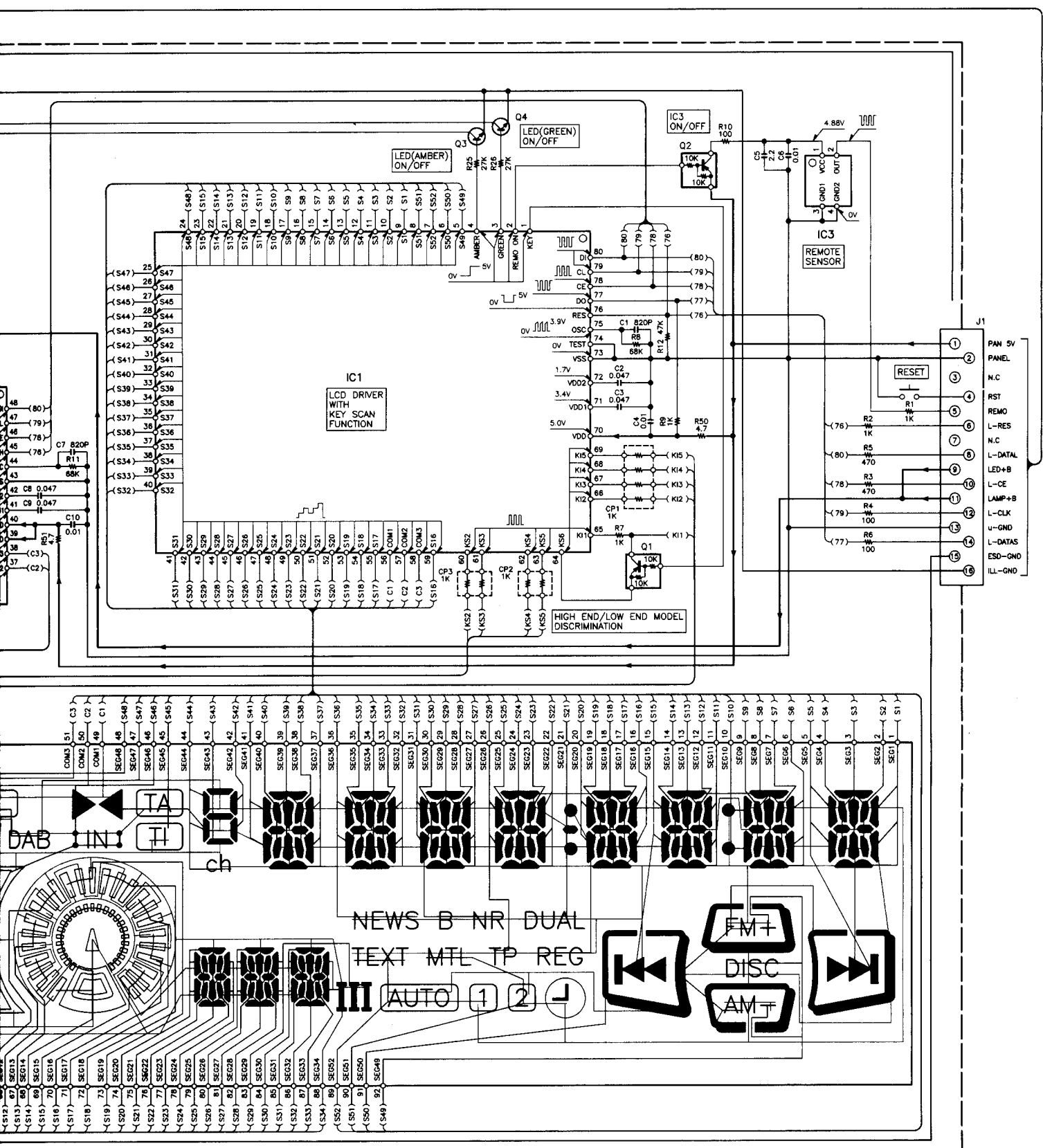
(X13-9180-10)



- | | | |
|-------------------|-----------------|----------------------|
| IC1 : LC75883E | Q1,2 : DTA114EK | D1-17 : B30-1510-05 |
| IC2 : LC75833E | Q3,4 : 2SD2114K | D18 : B30-1489-05 |
| IC3 : PAS-B06B1FE | Q5 : 2SC2412K | D19-21 : B30-1515-05 |

CAUTION: For continued safety, replace safety critical components only with manufacturer's recommended parts (refer to, parts list). Indicates safety critical components. To reduce the risk of electric shock, leakage-current or resistance measurements shall be carried out (exposed parts are acceptably insulated from the supply circuit) before the appliance is returned to the customer.

DC voltages are as measured with a high impedance voltmeter. Values may vary slightly due to variations between individual instruments or/and units.



- Q1,2 : DTA114EK
- Q3,4 : 2SD2114K
- Q5 : 2SC2412K
- D1-17 : B30-1510-05
- D18 : B30-1489-05
- D19-21 : B30-1515-05

— GND LINE
 = +B LINE

KDC-6009(K) (2/2)

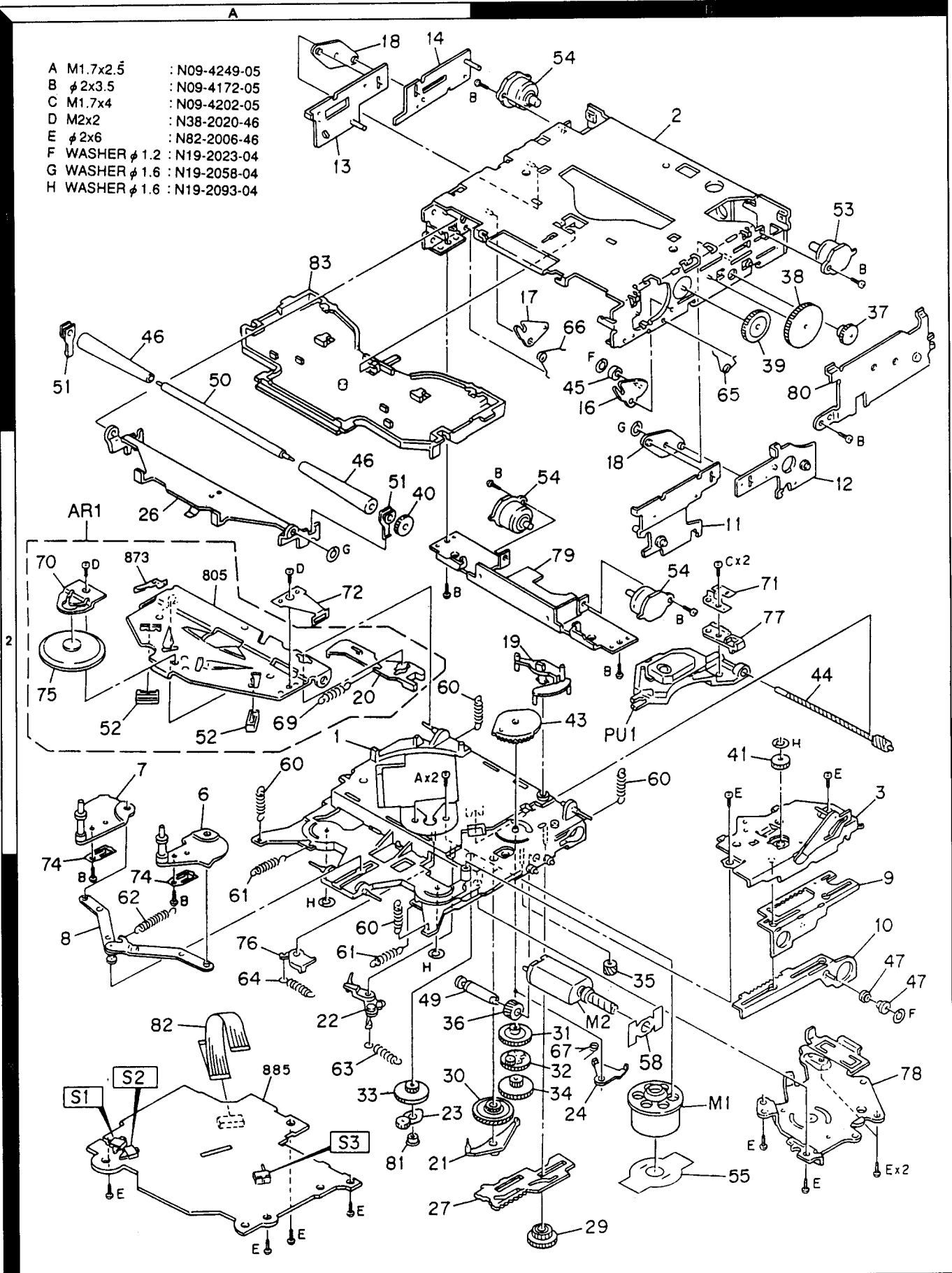
ance voltmeter.
 ween individual

KDC-5010/6009/PS709/6060R/R

KENWOOD

KDC-5010/6009/PS709/6060R/RV EXPLODED VIEW (MECHANISM UNIT)

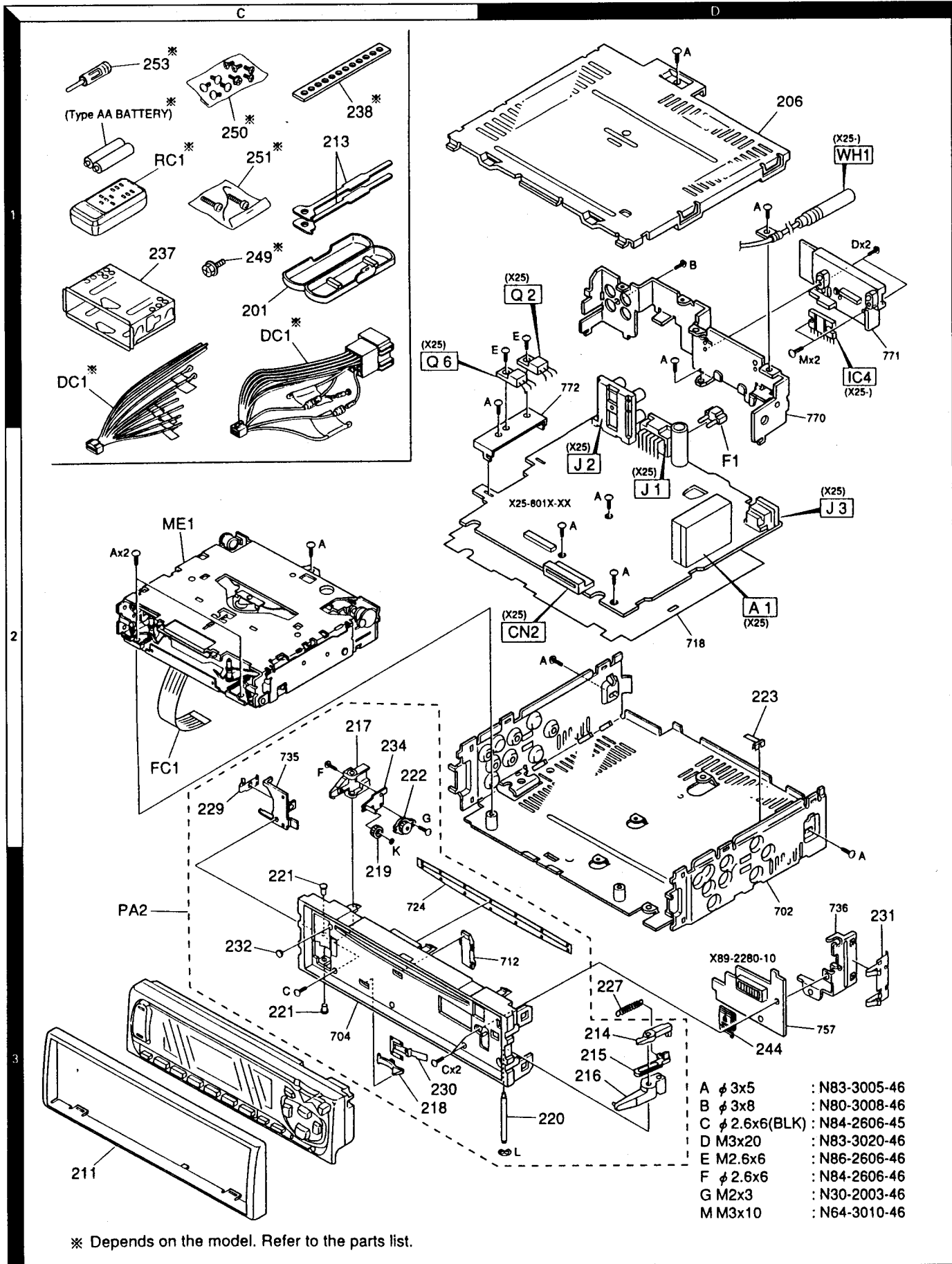
- | | | |
|---|--------------|---------------|
| A | M1.7x2.5 | : N09-4249-05 |
| B | φ 2x3.5 | : N09-4172-05 |
| C | M1.7x4 | : N09-4202-05 |
| D | M2x2 | : N38-2020-46 |
| E | φ 2x6 | : N82-2006-46 |
| F | WASHER φ 1.2 | : N19-2023-04 |
| G | WASHER φ 1.6 | : N19-2058-04 |
| H | WASHER φ 1.6 | : N19-2093-04 |



Parts with the exploded numbers larger than 700 are not supplied. 25

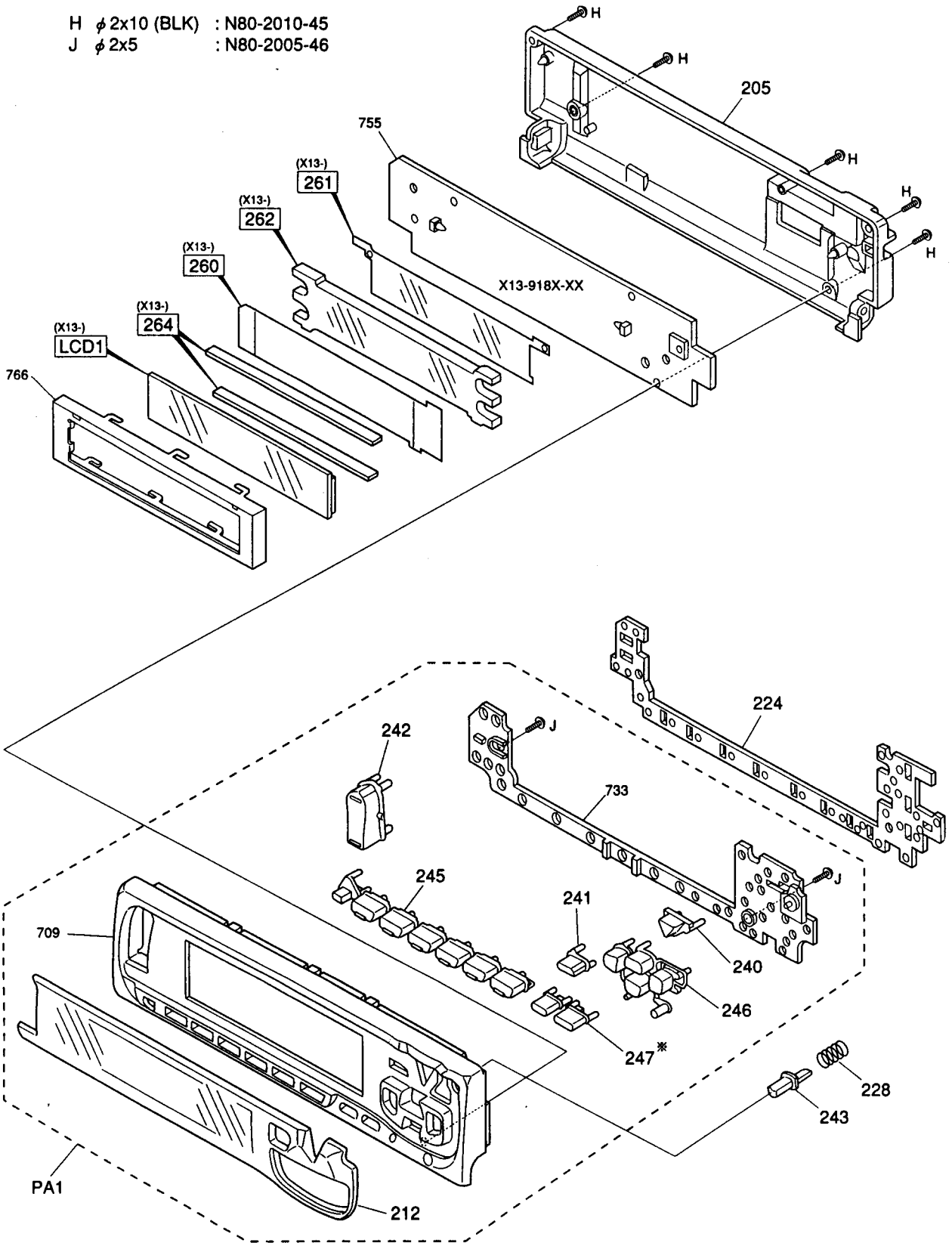
KDC-5010/6009/PS709/6060R/RV

EXPLODED VIEW(UNIT)



KDC-5010/6009/PS709/6060R/RV EXPLODED VIEW (UNIT)

H ϕ 2x10 (BLK) : N80-2010-45
 J ϕ 2x5 : N80-2005-46



※ Depends on the model. Refer to the parts list.

KDC-5010/6009/PS709/6060R/R

PARTS LIST

* New Parts

Parts without Parts No. are not supplied.

Les articles non mentionnés dans le Parts No. ne sont pas fournis.

Teile ohne Parts No. werden nicht geliefert.

Ref.No.	A d d	N e w	Parts No.	Description	Dest inati on
KDC-5010/6009/PS709/6060R/R					
201	1C		A02-1466-13	PLASTIC CABINET ASSY	
205	1F	*	A46-1276-11	REAR COVER	
206	1D	*	A52-0720-12	TOP PLATE	
PA1	3E	*	A64-1233-12	PANEL ASSY (KDC-6009)	K
PA1	3E	*	A64-1234-12	PANEL ASSY (KDC-PS709)	K1
PA1	3E	*	A64-1236-12	PANEL ASSY (KDC-5010)	M
PA1	3E	*	A64-1238-12	PANEL ASSY (KDC-6060R/R)	EE1
PA2	3C	*	A22-2233-12	SUB PANEL ASSY	
RC1	1C		A70-0872-05	REMOTE CONTROLLER ASSY (5010)	M
211	3C		B07-2094-12	ESCUTCHEON (KDC-PS709)	K1
211	3C		B07-2124-02	ESCUTCHEON (KDC-6009/5010)	KM
211	3C		B07-2124-02	ESCUTCHEON (KDC-6060R/R)	EE1
212	3E	*	B10-2846-11	FRONT GLASS (KDC-6009)	K
212	3E	*	B10-2847-21	FRONT GLASS (KDC-PS709)	K1
212	3E	*	B10-2849-11	FRONT GLASS (KDC-5010)	M
212	3E	*	B10-2851-11	FRONT GLASS (KDC-6060R/R)	EE1
-			B46-0100-50	WARRANTY CARD (KDC-5010/6060R)	ME
-			B46-0100-50	WARRANTY CARD (KDC-6009/PS709)	KK1
-			B46-0172-13	QUESTIONNAIRE CARD (6009/PS709)	KK1
-			B46-0182-14	ID CARD (KDC-6060R)	E
-			B46-0606-04	ID CARD (KDC-6009/PS709)	KK1
-			B46-0606-04	ID CARD (KDC-5010/6060R)	ME1
-		*	B64-1075-00	INST. MANUAL (ENG, FRE, SPA)	KK1
-		*	B64-1076-00	INST. MANUAL (ENG, CHI)	M
-		*	B64-1077-00	INST. MANUAL (ENG, FRE)	E
-		*	B64-1078-00	INST. MANUAL (GER, DUT, ITA)	E
-		*	B64-1079-00	INST. MANUAL (SPA, POR)	E
-		*	B64-1080-00	INST. MANUAL (ENG, RUS, POL)	E1
-		*	B64-1081-00	INST. MANUAL (CZE, HUN, CRO)	E1
213	1C		D10-3031-04	LEVER	
214	3D	*	D10-4141-04	LEVER	
215	3D	*	D10-4142-14	LEVER	
216	3D	*	D10-4143-14	LEVER	
217	2C	*	D10-4144-13	LEVER	
218	3C	*	D10-4196-14	LEVER	
219	3C	*	D13-1352-04	GEAR	
220	3D	*	D21-2272-04	SHAFT	
221	3C	*	D21-2273-04	SHAFT	
222	2C		D39-0230-05	DAMPER	
223	2D		E29-1528-04	LEAD PLATE	
224	2F	*	E29-1542-02	CONDUCTIVE RUBBER	
DC1	1C		E30-4549-05	DC CORD (KDC-6009/PS709/5010)	KK1M
DC1	1C		E30-4558-05	DC CORD (KDC-6060R/R)	EE1
FC1	2C		E39-0180-05	FLAT CABLE	
F1	2D		F52-0006-05	FUSE(MINI BLADE TYPE)	
227	3D	*	G01-2856-14	EXTENSION SPRING	
228	3F	*	G01-2881-14	COMPRESSION SPRING	
229	2C	*	G02-1257-04	FLAT SPRING	
230	3C	*	G02-1258-04	FLAT SPRING	
231	3D	*	G02-1259-04	FLAT SPRING	
232	3C	*	G11-1757-04	CUSHION	

Ref.No.	A d d	N e w	Parts No.	Description	Dest inati on
-		*	H10-4576-02	POLYSTYRENE FOAMED FIXTURE	
-			H12-2622-04	PACKING FIXTURE(REMOTE CONT.)	M
-			H25-0329-04	PROTECTION BAG (280X450X0.03)	E1
-			H25-0329-04	PROTECTION BAG (280X450X0.03)	KK1M
-			H25-0337-04	PROTECTION BAG (180X300X0.03)	
-			H25-1111-04	PROTECTION BAG (280X450X0.03)	E
-		*	H54-0920-14	ITEM CARTON CASE (KDC-6009)	K
-		*	H54-0921-14	ITEM CARTON CASE (KDC-PS709)	K1
-		*	H54-0923-14	ITEM CARTON CASE (KDC-5010)	M
-		*	H54-0925-14	ITEM CARTON CASE (KDC-6060R)	E
-		*	H54-1111-14	ITEM CARTON CASE (KDC-6060R)	E1
234	2C	*	J21-7817-04	MOUNTING HARDWARE ASSY	
237	1C		J21-7934-03	MOUNTING HARDWARE ASSY	
238	1C		J54-0606-04	STAY (KDC-6009/PS709/5010)	KK1M
240	3F	*	K24-1813-04	KNOB (SRC)	
241	3F	*	K24-1814-04	KNOB (PROG)	
242	2E	*	K24-1815-03	KNOB (VOL.)	
243	3F	*	K24-1816-14	KNOB (RELEASE)	
244	3D	*	K24-1817-04	KNOB (EJECT)	
245	3E	*	K25-0855-03	KNOB (PRE 1-6, ATT)	
246	3F	*	K25-0856-03	KNOB (FM, AM, UP, DOWN, RESET)	
247	3F	*	K25-0857-03	KNOB (AUTO, AUDIO)	KK1M
247	3F	*	K25-0877-03	KNOB (AUDIO, TI) (KDC-6060R/R)	EE1
249	1C		N09-1885-05	SEMS (MACHINE SCREW)(6060R/R)	EE1
250	1C		N99-1632-05	SCREW SET(KDC-6009/PS709/5010)	KK1M
251	1C	*	N99-1656-05	SCREW SET(KDC-6009/PS709/5010)	KK1M
A	2C		N83-3005-46	PAN HEAD TAPTITE SCREW	
C	3C		N84-2606-45	PAN HEAD TAPTITE SCREW(BLK)	
F	2C		N84-2606-46	PAN HEAD TAPTITE SCREW	
G	2C		N30-2003-46	PAN HEAD MACHINE SCREW	
H	1F		N80-2010-45	PAN HEAD TAPTITE SCREW	
J	3F		N80-2005-46	PAN HEAD TAPTITE SCREW	
K	3C	*	N19-2106-04	FLAT WASHER	
L	3D		N24-3020-46	E TYPE RETAINING RING	
253	1C		T90-0512-05	ANTENNA ADAPTOR (KDC-6060R/R)	EE1
ME1	2C	*	X92-3370-00	MECHANISM ASSY	
SWITCH UNIT (X13-9180-10)					
260	1E	*	B11-0944-04	OPTICAL DIFFUSER	
261	1E	*	B11-0945-04	REFLECTION SHEET	
262	1E	*	B19-1119-03	LIGHTING BOARD	
01 -17		*	B30-1510-05	LED	
018			B30-1489-05	LED	
019 -21		*	B30-1515-05	LED	
LCD1	1E	*	B38-0690-05	LIQUID CRYSTAL	
C1			CK73FB1H821K	CHIP C 820PF	K
C2 ,3			CK73FB1H473KTA	CHIP C 0.047UF	K
C4			CK73FB1H103K	CHIP C 0.010UF	K
C5			CK73EB1C225K	CHIP C 2.2UF	K
C6			CK73FB1H103K	CHIP C 0.010UF	K
C7			CK73FB1H821K	CHIP C 820PF	K
C8 ,9			CK73FB1H473KTA	CHIP C 0.047UF	K

K: KDC-6009 K1: KDC-PS709 M: KDC-5010
E: KDC-6060R E1: KDC-6060RY

⚠ indicates safety critical components.

PARTS LIST

* New Parts

Parts without Parts No. are not supplied.

Les articles non mentionnés dans le Parts No. ne sont pas fournis.

Teile ohne Parts No. werden nicht geliefert.

SWITCH UNIT (X13-9180-10)

Ref.No.	A d e w	Parts No.	Description	Dest ination
C10		CK73FB1H103K	CHIP C 0.010UF K	
C11 -13		CK73FB1C104K	CHIP C 0.10UF K	
264	1E *	E29-1543-04	CONDUCTIVE RUBBER	
CN1		E59-0829-05	RECTANGULAR PLUG	
CP1		R90-0724-05	MULTI-COMP 1K X4	
CP2 ,3		R90-0725-05	MULTI-COMP 1K X2	
R1 ,2		RK73FB2A102J	CHIP R 1.0K J 1/10W	
R3		RK73FB2A471J	CHIP R 470 J 1/10W	
R4		RK73FB2A101J	CHIP R 100 J 1/10W	
R5		RK73FB2A471J	CHIP R 470 J 1/10W	
R6		RK73FB2A101J	CHIP R 100 J 1/10W	
R7		RK73FB2A102J	CHIP R 1.0K J 1/10W	
R8		RK73FB2A683J	CHIP R 68K J 1/10W	
R9		RK73FB2A102J	CHIP R 1.0K J 1/10W	
R10		RK73FB2A101J	CHIP R 100 J 1/10W	
R11		RK73FB2A683J	CHIP R 68K J 1/10W	
R12		RK73FB2A473J	CHIP R 47K J 1/10W	
R13 -15		RK73EB2B331J	CHIP R 330 J 1/8W	
R16		RK73EB2B471J	CHIP R 470 J 1/8W	
R17		RK73EB2B331J	CHIP R 330 J 1/8W	
R18		RK73EB2B471J	CHIP R 470 J 1/8W	
R19		RK73EB2B301J	CHIP R 300 J 1/8W	
R23 ,24		RK73EB2B101J	CHIP R 100 J 1/8W	
R25 ,26		RK73FB2A273J	CHIP R 27K J 1/10W	
R30		RK73EB2B271J	CHIP R 270 J 1/8W	
R31 ,32		RK73EB2B102J	CHIP R 1.0K J 1/8W	
R33		RK73FB2A102J	CHIP R 1.0K J 1/10W	
R50 ,51		RK73EB2B4R7J	CHIP R 4.7 J 1/8W	
IC1		LC75883E	MOS-IC	
IC2		LC75833E	MOS-IC	
IC3		PAS-806B1FE	ANALOGUE IC	
Q1 ,2		DTA114EK	DIGITAL TRANSISTOR	
Q1 ,2		UN2111	DIGITAL TRANSISTOR	
Q3 -5		2SD2114K	TRANSISTOR	
ELECTRIC UNIT (X25-801X-XX)				
D22		B30-1424-05	LED	
C1		C90-2822-05	ELECTRO 3900UF 16WV	
C2		CK73FB1H103K	CHIP C 0.010UF K	
C3		C90-2926-05	ELECTRO 220UF 16WV	
C4		CK73FB1H103K	CHIP C 0.010UF K	
C5		C90-2594-05	ELECTRO 10UF 10WV	
C6		CE04CWOJ101M	ELECTRO 100UF 6.3WV	
C7		CE04CW1A101M	ELECTRO 100UF 10WV	
C9		CK73FB1H103K	CHIP C 0.010UF K	
C10 ,11		CE04CW1A101M	ELECTRO 100UF 10WV	
C12		C90-2595-05	ELECTRO 4.7UF 16WV	K1
C13		* C90-2962-05	ELECTRO 100UF 16WV	K1
C14 ,15		CK73EB1C225K	CHIP C 2.2UF K	K1
C16		CE04CW1C220M	ELECTRO 22UF 16WV	K1
C17		CK73FB1H223KTA	CHIP C 0.022UF K	K1
C18		CK73FB1H103K	CHIP C 0.010UF K	K1
C19		CE04CW1E100M	ELECTRO 10UF 25WV	K1

Ref.No.	A d e w	Parts No.	Description	Dest ination
C20		CK73FB1H103K	CHIP C 0.010UF K	EE1
C21		CK73FB1H223KTA	CHIP C 0.022UF K	
C22		C90-2608-05	ELECTRO 1.0UF 50WV	
C23		C90-2598-05	ELECTRO 3.3UF 25WV	
C24		CK73FB1E683KTA	CHIP C 0.068UF K	
C25		C90-2602-05	ELECTRO 0.10UF 50WV	
C26 ,27		CK73FB1H103K	CHIP C 0.010UF K	
C28 ,29		CK73EB1C225K	CHIP C 2.2UF K	K1
C30		CK73FB1H223KTA	CHIP C 0.022UF K	K1
C40		CE04CWOJ101M	ELECTRO 100UF 6.3WV	
C41 -43		CK73FB1H103K	CHIP C 0.010UF K	
C44 ,45		CC73FCH1H220J	CHIP C 22PF J	
C46		C90-2608-05	ELECTRO 1.0UF 50WV	
C48		CK73FB1H472K	CHIP C 4700PF K	
C49		CK73EB1A475K	CHIP C 4.7UF K	
C50 -51		CK73FB1H103K	CHIP C 0.010UF K	
C52		C90-2595-05	ELECTRO 4.7UF 16WV	
C53 ,54		C90-2610-05	ELECTRO 2.2UF 50WV	
C55 ,56		C90-2608-05	ELECTRO 1.0UF 50WV	
C57		CE04CWOJ101M	ELECTRO 100UF 6.3WV	
C58		CK73FB1H153KTA	CHIP C 0.015UF K	
C59		CK73EB1C105K	CHIP C 1.0UF K	
C61		CK73FB1C823K	CHIP C 0.082UF K	
C62		CE04CW1A101M	ELECTRO 100UF 10WV	
C63		CK73FB1H103K	CHIP C 0.010UF K	
C64 ,65		C90-2594-05	ELECTRO 10UF 10WV	
C70		C90-2595-05	ELECTRO 4.7UF 16WV	K1
C71		CE04CW1A330M	ELECTRO 33UF 10WV	K1
C72		CK73FB1H103K	CHIP C 0.010UF K	K1
C73 -80		CK73FB1C274K	CHIP C 0.27UF K	K1
C81 ,82		C90-2525-05	NP-ELECT 2.2UF 35WV	K1
C83 ,84		CK73EB1C225K	CHIP C 2.2UF K	K1
C111-114		C90-2597-05	ELECTRO 10UF 16WV	KM
C111-118		C90-2597-05	ELECTRO 10UF 16WV	K1
C111,112		C90-2597-05	ELECTRO 10UF 16WV	EE1
C119,120		CK73FB1H103K	CHIP C 0.010UF K	K1
C121-124		C90-2597-05	ELECTRO 10UF 16WV	K1
C131-134		CK73FB1C124K	CHIP C 0.12UF K	EE1
C131-134		CK73FB1C124K	CHIP C 0.12UF K	KM
C131-134		CK73FB1C224K	CHIP C 0.22UF K	K1
C139		CE04CW1A101M	ELECTRO 100UF 10WV	
C140		C90-2598-05	ELECTRO 3.3UF 25WV	
C141		C90-2608-05	ELECTRO 1.0UF 50WV	
C142		C90-2597-05	ELECTRO 10UF 16WV	
C160		CK73EB1H104K	CHIP C 0.10UF K	
C161		CK73FB1H103K	CHIP C 0.010UF K	
C162		CK73EB1H473K	CHIP C 0.047UF K	
C163		CK73FB1H103K	CHIP C 0.010UF K	
C171		CK73FB1H103K	CHIP C 0.010UF K	
C173		CK73FB1H103K	CHIP C 0.010UF K	
C174		CE04CW1A101M	ELECTRO 100UF 10WV	
C175		CK73FB1H103K	CHIP C 0.010UF K	
C176		CE04DW1A470M	ELECTRO 47UF 10WV	
C177		CK73FB1H103K	CHIP C 0.010UF K	
C178		CC73FCH1H121J	CHIP C 120PF J	

K: KDC-6009 K1: KDC-PS709 M: KDC-5010
E: KDC-6060R E1: KDC-6060RY

⚠ indicates safety critical components.

KDC-5010/6009/PS709/6060R/RV

PARTS LIST

* New Parts

Parts without Parts No. are not supplied.

Les articles non mentionnes dans le Parts No. ne sont pas fournis.

Teile ohne Parts No. werden nicht geliefert.

ELECTRIC UNIT (X25-801X-XX)

Ref.No.	A d d w	N e w	Parts No.	Description	Dest inati on
C179			CK73FB1E273KTA	CHIP C 0.027UF K	
C180			CK73FB1C104K	CHIP C 0.10UF K	
C190			CK73FB1H223KTA	CHIP C 0.022UF K	EE1
C191			CC73FCH1H060D	CHIP C 6.0PF D	EE1
C192			CK73FB1H102K	CHIP C 1000PF K	EE1
C193			CK73FB1H222K	CHIP C 2200PF K	EE1
C194			CC73FCH1H820J	CHIP C 82PF J	EE1
C195			CE04DW1C100M	ELECTRO 10UF 16WV	EE1
C196			CK73FB1H471K	CHIP C 470PF K	EE1
C197			CK73FB1H822K	CHIP C 8200PF K	EE1
C198			CC73FCH1H120J	CHIP C 12PF J	EE1
C199			CC73FCH1H121J	CHIP C 120PF J	EE1
C200			CK73FB1H122K	CHIP C 1200PF K	EE1
C201			CK73FB1H471K	CHIP C 470PF K	EE1
C202			CK73FB1H122K	CHIP C 1200PF K	EE1
C210			C90-2592-05	ELECTRO 10UF 6.3WV	E1
C210			C90-2592-05	ELECTRO 10UF 6.3WV	KK1E
C211			CK73FB1H103K	CHIP C 0.010UF K	E1
C211			CK73FB1H103K	CHIP C 0.010UF K	KK1E
C212			CC73FCH1H271J	CHIP C 270PF J	E1
C212			CC73FCH1H271J	CHIP C 270PF J	KK1E
C213			C90-2592-05	ELECTRO 10UF 6.3WV	E1
C213			C90-2592-05	ELECTRO 10UF 6.3WV	KK1E
C214, 215			CC73FCH1H100D	CHIP C 10PF D	E1
C214, 215			CC73FCH1H100D	CHIP C 10PF D	KK1E
CN1			E40-9550-05	FLAT CABLE CONNECTOR	
CN2		*	E40-9595-05	PIN ASSY	
J1			E58-0836-05	RECTANGULAR RECEPTACLE	
J2			E63-0828-05	PHONO JACK	KM
J2			E63-0842-05	PHONO JACK	EE1
J2			E63-0843-05	PHONO JACK	K1
J3			E56-0809-05	CYLINDRICAL RECEPTACLE	
WH1	1D		E30-4568-05	CORD WITH PLUG	
L1			L40-4791-17	SMALL FIXED INDUCTOR(4.7UH, K)	
L2			L40-2201-17	SMALL FIXED INDUCTOR(22UH, K)	K1
L3			L33-1039-05	LINE FILTER COIL	
L4 -8			L40-4791-17	SMALL FIXED INDUCTOR(4.7UH, K)	KK1M
L4 -9			L40-4791-17	SMALL FIXED INDUCTOR(4.7UH, K)	EE1
L10			L40-4795-34	SMALL FIXED INDUCTOR(4.7UH, K)	
X1		*	L78-0574-05	RESONATOR	
X2			L78-0533-05	RESONATOR (32.768KHZ)	
X3			L77-2002-05	CRYSTAL RESONATOR	E1
X3			L77-2002-05	CRYSTAL RESONATOR	KK1E
A	1D		N83-3005-46	PAN HEAD TAPTITE SCREW	
B	1D		N80-3008-46	PAN HEAD TAPTITE SCREW	
D	1D		N83-3020-46	PAN HEAD TAPTITE SCREW	
E	1D		N86-2606-46	BINDING HEAD TAPTITE SCREW	
M	1D		N64-3010-46	PAN HEAD SEMS SCREW	
CP1			R90-1013-05	MULTIPLE RESISTOR	
CP2 ,3			R90-0725-05	MULTI-COMP 1K X2	
CP4			R90-0722-05	MULTI-COMP 2.2K X4	
CP5			R90-0725-05	MULTI-COMP 1K X2	
CP7			R90-1022-05	MULTIPLE RESISTOR	
R1			RK73FB2A223J	CHIP R 22K J 1/10W	

Ref.No.	A d d w	N e w	Parts No.	Description	De s t i n a t i o n
R2			RK73FB2A101J	CHIP R 100 J 1/10W	
R4			RK73FB2A102J	CHIP R 1.0K J 1/10W	
R5			R92-2104-05	CHIP R 2.2 J 1W	
R6			RK73FB2A103J	CHIP R 10K J 1/10W	
R7			RK73FB2A102J	CHIP R 1.0K J 1/10W	
R8			RK73FB2A101J	CHIP R 100 J 1/10W	
R9			RK73FB2A152J	CHIP R 1.5K J 1/10W	
R10			RK73FB2A102J	CHIP R 1.0K J 1/10W	EE
R10			RK73FB2A102J	CHIP R 1.0K J 1/10W	KM
R10 , 11			RK73FB2A102J	CHIP R 1.0K J 1/10W	K1
R12			RK73FB2A104J	CHIP R 100K J 1/10W	K1
R13			RK73FB2A750J	CHIP R 75 J 1/10W	K1
R14			RK73FB2A272J	CHIP R 2.7K J 1/10W	K1
R15			RK73FB2A470J	CHIP R 47 J 1/10W	K1
R16			RK73FB2A153J	CHIP R 15K J 1/10W	K1
R17			RK73FB2A163J	CHIP R 16K J 1/10W	K1
R18			RK73FB2A563J	CHIP R 56K J 1/10W	K1
R19			RK73FB2A913J	CHIP R 91K J 1/10W	K1
R20			RK73FB2A470J	CHIP R 47 J 1/10W	K1
R21			RK73FB2A103J	CHIP R 10K J 1/10W	K1
R22 , 23			RK73FB2A913J	CHIP R 91K J 1/10W	K1
R24			RK73EB2B103J	CHIP R 10K J 1/8W	EE
R25			RK73FB2A223J	CHIP R 22K J 1/10W	EE
R26			RK73FB2A473J	CHIP R 47K J 1/10W	EE
R27			RK73FB2A102J	CHIP R 1.0K J 1/10W	EE
R28			RK73EB2B103J	CHIP R 10K J 1/8W	
R29			RK73EB2B472J	CHIP R 4.7K J 1/8W	KK
R30			R92-0366-05	CHIP R 560 J 1W	KK
R31			RK73FB2A223J	CHIP R 22K J 1/10W	KK
R32			RK73EB2B472J	CHIP R 4.7K J 1/8W	EE
R33			RD14DB2H102J	SMALL-RD 1.0K J 1/2W	
R34			RK73FB2A223J	CHIP R 22K J 1/10W	
R35			RD14DB2H102J	SMALL-RD 1.0K J 1/2W	
R36			RK73FB2A123J	CHIP R 12K J 1/10W	
R37			RK73FB2A153J	CHIP R 15K J 1/10W	
R38			RK73FB2A512J	CHIP R 5.1K J 1/10W	
R39			RK73FB2A104J	CHIP R 100K J 1/10W	
R40			RD14DB2H332J	SMALL-RD 3.3K J 1/2W	
R42			RK73FB2A104J	CHIP R 100K J 1/10W	
R43			RK73FB2A562J	CHIP R 5.6K J 1/10W	
R44			RK73FB2A473J	CHIP R 47K J 1/10W	
R45			RK73FB2A562J	CHIP R 5.6K J 1/10W	
R50			RK73FB2A470J	CHIP R 47 J 1/10W	
R52			RK73FB2A684J	CHIP R 680K J 1/10W	
R53			RK73FB2A473J	CHIP R 47K J 1/10W	
R54			RK73FB2A104J	CHIP R 100K J 1/10W	M
R56			RK73FB2A101J	CHIP R 100 J 1/10W	
R57			RK73FB2A102J	CHIP R 1.0K J 1/10W	
R60			RK73FB2A104J	CHIP R 100K J 1/10W	
R63			RK73FB2A222J	CHIP R 2.2K J 1/10W	EE
R65			RK73FB2A223J	CHIP R 22K J 1/10W	
R66			RK73FB2A164J	CHIP R 160K J 1/10W	
R67			RK73FB2A394J	CHIP R 390K J 1/10W	
R68			RK73FB2A101J	CHIP R 100 J 1/10W	
R69			RK73FB2A102J	CHIP R 1.0K J 1/10W	

K: KDC-6009 K1: KDC-PS709 M: KDC-5010
E: KDC-6060R E1: KDC-6060RY

⚠ indicates safety critical components.

PARTS LIST

* New Parts

Parts without Parts No. are not supplied.

Les articles non mentionnés dans le Parts No. ne sont pas fournis.

Teile ohne Parts No. werden nicht geliefert.

ELECTRIC UNIT (X25-801X-00)

Ref.No.	A d d	N e w	Parts No.	Description	Dest inati on
R72			RK73FB2A101J	CHIP R 100	J 1/10W
R73 , 74			RK73FB2A470J	CHIP R 47	J 1/10W
R75			RK73FB2A101J	CHIP R 100	J 1/10W
R76			RK73FB2A104J	CHIP R 100K	J 1/10W
R78			RK73FB2A102J	CHIP R 1.0K	J 1/10W
R80			RK73FB2A154J	CHIP R 150K	J 1/10W
R85 , 86			RK73FB2A222J	CHIP R 2.2K	J 1/10W
R89			RK73FB2A222J	CHIP R 2.2K	J 1/10W
R91			RK73EB2B241J	CHIP R 240	J 1/8W
R93 , 94			RK73FB2A104J	CHIP R 100K	J 1/10W M
R97			RK73FB2A222J	CHIP R 2.2K	J 1/10W KK1M
R97 , 98			RK73FB2A222J	CHIP R 2.2K	J 1/10W EE1
R100			RK73FB2A473J	CHIP R 47K	J 1/10W K1E
R100			RK73FB2A473J	CHIP R 47K	J 1/10W E1
R100, 101			RK73FB2A473J	CHIP R 47K	J 1/10W M
R102			RK73FB2A473J	CHIP R 47K	J 1/10W EE1
R103-105			RK73FB2A473J	CHIP R 47K	J 1/10W K
R104			RK73FB2A473J	CHIP R 47K	J 1/10W EE1
R104, 105			RK73FB2A473J	CHIP R 47K	J 1/10W K1
R105			RK73FB2A473J	CHIP R 47K	J 1/10W M
R106			RK73FB2A223J	CHIP R 22K	J 1/10W
R107			RK73FB2A222J	CHIP R 2.2K	J 1/10W
R108			RK73FB2A225J	CHIP R 2.2M	J 1/10W
R109			RK73FB2A102J	CHIP R 1.0K	J 1/10W
R110			RK73FB2A562J	CHIP R 5.6K	J 1/10W
R111			RK73FB2A102J	CHIP R 1.0K	J 1/10W
R112			RK73FB2A562J	CHIP R 5.6K	J 1/10W
R113			RK73FB2A222J	CHIP R 2.2K	J 1/10W
R114, 115			RK73FB2A473J	CHIP R 47K	J 1/10W
R116, 117			RK73FB2A104J	CHIP R 100K	J 1/10W
R118			RK73FB2A473J	CHIP R 47K	J 1/10W
R120			RK73FB2A473J	CHIP R 47K	J 1/10W
R122			RK73FB2A222J	CHIP R 2.2K	J 1/10W
R125			RK73FB2A101J	CHIP R 100	J 1/10W
R126			RK73FB2A332J	CHIP R 3.3K	J 1/10W
R159-162			RK73FB2A361J	CHIP R 360	J 1/10W KK1M
R159, 160			RK73FB2A361J	CHIP R 360	J 1/10W EE1
R163-166			RK73FB2A472J	CHIP R 4.7K	J 1/10W KM
R163-170			RK73FB2A223J	CHIP R 22K	J 1/10W K1
R163, 164			RK73FB2A472J	CHIP R 4.7K	J 1/10W EE1
R167-170			RK73FB2A223J	CHIP R 22K	J 1/10W KM
R167, 168			RK73FB2A223J	CHIP R 22K	J 1/10W EE1
R171-174			RK73FB2A104J	CHIP R 100K	J 1/10W K1
R175-178			RK73FB2A153J	CHIP R 15K	J 1/10W K1
R179-182			RK73FB2A223J	CHIP R 22K	J 1/10W K1
R183-186			RK73FB2A820J	CHIP R 82	J 1/10W K1
R187-190			RK73EB2B181J	CHIP R 180	J 1/8W KM
R187, 188			RK73EB2B181J	CHIP R 180	J 1/8W EE1
R191-194			RK73FB2A472J	CHIP R 4.7K	J 1/10W
R195			RK73FB2A101J	CHIP R 100	J 1/10W
R196			RK73FB2A751J	CHIP R 750	J 1/10W
R197			RK73FB2A431J	CHIP R 430	J 1/10W
R198			RK73FB2A152J	CHIP R 1.5K	J 1/10W
R199			RK73FB2A101J	CHIP R 100	J 1/10W
R207			RK73FB2A103J	CHIP R 10K	J 1/10W

Ref.No.	A d d	N e w	Parts No.	Description	Dest inati on
R210-212			RK73FB2A104J	CHIP R 100K	J 1/10W
R213-215			RK73FB2A222J	CHIP R 2.2K	J 1/10W
R216			RK73FB2A473J	CHIP R 47K	J 1/10W
R217			RK73FB2A103J	CHIP R 10K	J 1/10W
R227			RK73EB2B470J		
R228, 229			RK73EB2B102J	CHIP R 1.0K	J 1/8W
R230			RK73EB2B4R7J	CHIP R 4.7	J 1/8W
R231			RK73EB2B472J	CHIP R 4.7K	J 1/8W
R232			RK73EB2B100J	CHIP R 10	J 1/8W
R233, 234			RK73EB2B102J	CHIP R 1.0K	J 1/8W
R235			RK73EB2B470J	CHIP R 47	J 1/8W
R236			RK73EB2B100J	CHIP R 10	J 1/8W
R237			RK73EB2B470J	CHIP R 47	J 1/8W
R238-241			RK73FB2A104J	CHIP R 100K	J 1/10W
R250			RK73FB2A223J	CHIP R 22K	J 1/10W
R251			RK73EB2B102J	CHIP R 1.0K	J 1/8W
R252			RK73FB2A223J	CHIP R 22K	J 1/10W
R253			RK73EB2B102J	CHIP R 1.0K	J 1/8W
R254			RK73FB2A102J	CHIP R 1.0K	J 1/10W
R256			RK73FB2A472J	CHIP R 4.7K	J 1/10W
R257			RK73FB2A272J	CHIP R 2.7K	J 1/10W
R258			RK73FB2A472J	CHIP R 4.7K	J 1/10W
R270			RK73FB2A823J	CHIP R 82K	J 1/10W EE1
R271			RK73FB2A103J	CHIP R 10K	J 1/10W EE1
R272			RK73FB2A104J	CHIP R 100K	J 1/10W EE1
R273, 274			RK73FB2A103J	CHIP R 10K	J 1/10W EE1
R275			RK73FB2A153J	CHIP R 15K	J 1/10W EE1
R276, 277			RK73FB2A103J	CHIP R 10K	J 1/10W EE1
R278			RK73FB2A562J	CHIP R 5.6K	J 1/10W EE1
R280			RK73FB2A563J	CHIP R 56K	J 1/10W EE1
R281			RK73FB2A272J	CHIP R 2.7K	J 1/10W EE1
R282, 283			RK73FB2A103J	CHIP R 10K	J 1/10W EE1
R284			RK73FB2A562J	CHIP R 5.6K	J 1/10W EE1
R286			RK73FB2A222J	CHIP R 2.2K	J 1/10W EE1
R290-292			RK73FB2A222J	CHIP R 2.2K	J 1/10W EE1
R290-292			RK73FB2A222J	CHIP R 2.2K	J 1/10W KK1E
W2 -11			R92-2052-05	CHIP R 0	J 1/10W KM
W2 -5			R92-2052-05	CHIP R 0	J 1/10W EE1
W8 , 9			R92-2052-05	CHIP R 0	J 1/10W EE1
W13			R92-2052-05	CHIP R 0	J 1/10W KK1M
W15			R92-2052-05	CHIP R 0	J 1/10W EE1
W16 , 17			R92-2052-05	CHIP R 0	J 1/10W KK1M
S1			S74-0808-05	MICRO SWITCH	
D1			RM10ZLF	DIODE	
D2			AM01Z	DIODE	
D2			ERA15-01	DIODE	
D3			MA4056(N)-M	ZENER DIODE	
D4			MA4082(N)-L	ZENER DIODE	
D5		*	MA4110-L	ZENER DIODE	
D6		*	MA4110(N)-M	ZENER DIODE	K1
D7			MA4056(N)-M	ZENER DIODE	K1
D8		*	HZM4.7NB2	ZENER DIODE	EE1
D8			MA3047-M	ZENER DIODE	EE1
D9			AM01Z	DIODE	KK1M

K: KDC-6009 K1: KDC-PS709 M: KDC-5010
E: KDC-6060R E1: KDC-6060RY

⚠ indicates safety critical components.

KDC-5010/6009/PS709/6060R/RV

PARTS LIST

* New Parts

Parts without Parts No. are not supplied.

Les articles non mentionnés dans le Parts No. ne sont pas fournis.

Teile ohne Parts No. werden nicht geliefert.

ELECTRIC UNIT (X25-801X-XX)

Ref.No.	A d d w	N e w	Parts No.	Description	Dest inati on	Ref.No.	A d d w	N e w	Parts No.	Description	Dest inati on
D9			ERA15-01	DIODE	KK1M	Q10			2SB1184	TRANSISTOR	
D10			AM01Z	DIODE	EE1	Q11			2SB1443	TRANSISTOR	K1
D10			ERA15-01	DIODE	EE1	Q12			2SC2412K	TRANSISTOR	K1
D11			1SS133	DIODE		Q12			2SD601A	TRANSISTOR	K1
D12 ,13			MA4056(N)-M	ZENER DIODE		Q13			2SA1037K	TRANSISTOR	K1
D14			MA4068(N)-M	ZENER DIODE		Q13			2SB709A	TRANSISTOR	K1
D15			DAN202K	DIODE		Q14			2SC2412K	TRANSISTOR	K1
D15			MA152WK	DIODE		Q14			2SD601A	TRANSISTOR	K1
D16			DA204K	DIODE		Q15			2SA1037K	TRANSISTOR	K1
D17			D1F60	DIODE		Q15			2SB709A	TRANSISTOR	K1
D30 -32		*	RD6.8MW	ZENER DIODE		Q16			2SC2412K	TRANSISTOR	K1
D34 ,35			DA204K	DIODE		Q16			2SD601A	TRANSISTOR	K1
D36			MA3062WA	ZENER DIODE		Q17			2SA1037K	TRANSISTOR	K1
D37			DAN202K	DIODE	EE1	Q17			2SB709A	TRANSISTOR	K1
D37			MA152WK	DIODE	EE1	Q18			2SC2412K	TRANSISTOR	K1
D50 ,51		*	D1CA60R	DIODE		Q18			2SD601A	TRANSISTOR	K1
D52 ,53			DAP202K	DIODE		Q19			2SA1036K	TRANSISTOR	
D52 ,53			MA152WA	DIODE		Q20			DTC144EK	DIGITAL TRANSISTOR	
D54			DA204K	DIODE		Q20			UN2213	DIGITAL TRANSISTOR	
D56 -59			DAN202K	DIODE		Q21			2SB1277(Q, R)	TRANSISTOR	KK1M
D56 -59			MA152WK	DIODE		Q22			DTC114YK	DIGITAL TRANSISTOR	KK1M
D60			DA204K	DIODE		Q22			UN2214	DIGITAL TRANSISTOR	KK1M
D61 -64			DAP202K	DIODE		Q23			2SB1277(Q, R)	TRANSISTOR	
D61 -64			MA152WA	DIODE		Q24			2SA1037K	TRANSISTOR	
D65		*	DSP-301N-A21F	SURGE ABSORBER		Q24			2SB709A	TRANSISTOR	
D66 -69			MA3062WA	ZENER DIODE		Q25			DTA124EK	DIGITAL TRANSISTOR	
D70			DAN202K	DIODE		Q25			UN2112	DIGITAL TRANSISTOR	
D70			MA152WK	DIODE		Q26			DTC114YK	DIGITAL TRANSISTOR	
IC1		*	UPD784214GF507	MI-COM IC		Q26			UN2214	DIGITAL TRANSISTOR	
IC2			TDA7461D	ANALOGUE IC		Q27 -29			2SC2412K	TRANSISTOR	
IC3			BR24C01AF	MEMORY IC		Q27 -29			2SD601A	TRANSISTOR	
IC4			TDA7386	ANALOGUE IC		Q31 ,32			2SC2412K	TRANSISTOR	
IC5			TDA7435	ANALOGUE IC	K1	Q31 ,32			2SD601A	TRANSISTOR	
IC6			TC7660SEOA	ANALOGUE IC	K1	Q40			DTA124EK	DIGITAL TRANSISTOR	
IC7			PST9130NR	ANALOGUE IC		Q40			UN2112	DIGITAL TRANSISTOR	
IC8			TC74HC02AF	IC		Q41			DTC144EK	DIGITAL TRANSISTOR	
IC9 ,10			NJM4565M-TE2	ANALOGUE IC	K1	Q41			UN2213	DIGITAL TRANSISTOR	
IC13			NJM4565M-TE2	ANALOGUE IC	EE1	Q53 -56			2SC2412K	TRANSISTOR	KM
IC14		*	TDA7479D	ANALOGUE IC	E1	Q53 -56			2SD2114K	TRANSISTOR	K1
IC14		*	TDA7479D	ANALOGUE IC	KK1E	Q53 -56			2SD601A	TRANSISTOR	KM
Q1			2SC2412K	TRANSISTOR		Q53 ,54			2SC2412K	TRANSISTOR	EE1
Q1			2SD601A	TRANSISTOR		Q53 ,54			2SD601A	TRANSISTOR	EE1
Q2			2SB1565F(E, F)	TRANSISTOR		Q57			DTC144EK	DIGITAL TRANSISTOR	
Q3			DTC144EK	DIGITAL TRANSISTOR		Q57			UN2213	DIGITAL TRANSISTOR	
Q3			UN2213	DIGITAL TRANSISTOR		Q60			2SA1037K	TRANSISTOR	
Q4			DTA124EK	DIGITAL TRANSISTOR		Q60			2SB709A	TRANSISTOR	
Q4			UN2112	DIGITAL TRANSISTOR		Q61			DTA124EK	DIGITAL TRANSISTOR	
Q5			2SB1184	TRANSISTOR		Q61			UN2112	DIGITAL TRANSISTOR	
Q6			2SD2396F40	TRANSISTOR		Q70			DTC124EK	DIGITAL TRANSISTOR	
Q7			DTC144EK	DIGITAL TRANSISTOR		Q70			UN2212	DIGITAL TRANSISTOR	
Q7			UN2213	DIGITAL TRANSISTOR		Q71			2SB1277(Q, R)	TRANSISTOR	
Q8			DTA124EK	DIGITAL TRANSISTOR		Q72			DTC124EK	DIGITAL TRANSISTOR	
Q8			UN2112	DIGITAL TRANSISTOR		Q72			UN2212	DIGITAL TRANSISTOR	
Q9			2SC2412K	TRANSISTOR		Q73			2SB1277(Q, R)	TRANSISTOR	
Q9			2SD601A	TRANSISTOR		Q74			DTC124EK	DIGITAL TRANSISTOR	EE1

K: KDC-6009 K1: KDC-PS709 M: KDC-5010
E: KDC-6060R E1: KDC-6060RY

⚠ indicates safety critical components.

PARTS LIST

* New Parts

Parts without Parts No. are not supplied.

Les articles non mentionnes dans le Parts No. ne sont pas fournis.

Teile ohne Parts No. werden nicht geliefert.

ELECTRIC UNIT (X25-801X-XX)

Ref.No.	A d d	N e w	Parts No.	Description	Dest inati on
Q74			UN2212	DIGITAL TRANSISTOR	EE1
Q80			2SC2412K	TRANSISTOR	EE1
Q80			2SD601A	TRANSISTOR	EE1
Q81			DTC114TK	DIGITAL TRANSISTOR	EE1
Q81			UN2215	DIGITAL TRANSISTOR	EE1
Q82			DTA124EK	DIGITAL TRANSISTOR	EE1
Q82			UN2112	DIGITAL TRANSISTOR	EE1
TH1			PT722A80C	POSITIVE RESISTOR	
A1	2D	*	W02-3119-05	FM/AM FRONT-END	KK1M
A1	2D	*	W02-3120-05	FM/AM FRONT-END	EE1
CD PLAYER UNIT (X32-4440-00)					
C1	, 2		CK73FB1A105K	CHIP C 1.0UF K	
C3			C92-1359-05	CHIP-TAN 10UF 16WV	
C4			C92-0566-05	CHIP-TAN 10UF 6.3WV	
C5			CC73FCH1H220J	CHIP C 22PF J	
C6			CC73FCH1H020C	CHIP C 2.0PF C	
C7			CK73FB1C104K	CHIP C 0.10UF K	
C8			CK73FB1A105K	CHIP C 1.0UF K	
C9			CC73FCH1H101J	CHIP C 100PF J	
C10	, 11		CK73FB1H682K	CHIP C 6800PF K	
C12			CK73FB1H222K	CHIP C 2200PF K	
C13			CK73FB1H273K	CHIP C 0.027UF K	
C14			CK73FB1H472K	CHIP C 4700PF K	
C15			CK73FB1E473KTA	CHIP C 0.047UF K	
C16			CC73FCH1H101J	CHIP C 100PF J	
C17			CK73FB1H222K	CHIP C 2200PF K	
C18			CC73FCH1H391J	CHIP C 390PF J	
C19	, 20		CK73FB1C104K	CHIP C 0.10UF K	
C21			C92-1359-05	CHIP-TAN 10UF 16WV	
C22			CK73FB1C104K	CHIP C 0.10UF K	
C23			CK73FB1H102K	CHIP C 1000PF K	
C24			CK73FB1H223KTA	CHIP C 0.022UF K	
C25			CK73FB1H123K	CHIP C 0.012UF K	
C26			CK73FB1C334K	CHIP C 0.33UF K	
C27			CC73FCH1H101J	CHIP C 100PF J	
C28			CK73FB1A105K	CHIP C 1.0UF K	
C30			C92-1324-05	CHIP-TAN 4.7UF 16WV	
C31	, 32		CK73FB1H103K	CHIP C 0.010UF K	
C33			CK73FB1E473KTA	CHIP C 0.047UF K	
C34			CK73FB1C104K	CHIP C 0.10UF K	
C40			CK73FB1E473KTA	CHIP C 0.047UF K	
C41			CK73EB1C225K	CHIP C 2.2UF K	
C43			CK73FB1H123K	CHIP C 0.012UF K	
C44			CK73FB1C104K	CHIP C 0.10UF K	
C45	, 46		CK73FB1H223KTA	CHIP C 0.022UF K	
C47			CK73FB1E473KTA	CHIP C 0.047UF K	
C51			CK73FB1A105K	CHIP C 1.0UF K	
C52			CK73FB1C104K	CHIP C 0.10UF K	
C53			C92-1359-05	CHIP-TAN 10UF 16WV	
C54			CK73FB1C104K	CHIP C 0.10UF K	
C55	, 56		CK73FB1A105K	CHIP C 1.0UF K	
C61	, 62		CC73FCH1H471J	CHIP C 470PF J	
C63	, 64		CC73FCH1H680J	CHIP C 68PF J	
C65	, 66		CK73FB1H222K	CHIP C 2200PF K	

Ref.No.	A d d	N e w	Parts No.	Description	Dest inati on
C101			CC73FCH1H221J	CHIP C 220PF J	
C102			CK73FB1C104K	CHIP C 0.10UF K	
CN1			E40-9536-05	FLAT CABLE CONNECTOR	
CN2			E40-9339-05	FLAT CABLE CONNECTOR	
L1		*	L40-1001-78	SMALL FIXED INDUCTOR(10UH)	
L2			L92-0308-05	FERRITE CORE	
X1		*	L78-0572-05	RESONATOR (16.93MHZ)	
X2		*	L78-0571-05	RESONATOR	
CP1	, 2		R90-0720-05	MULTI-COMP 100K X4	
CP3	-5		R90-1014-05	MULTIPLE RESISTOR	
CP6			R90-1019-05	MULTIPLE RESISTOR	
CP7			R90-0718-05	MULTI-COMP 4.7K X4	
R1			RK73FB2A243J	CHIP R 24K J 1/10W	
R2			RK73FB2A183J	CHIP R 18K J 1/10W	
R3			RK73FB2A154J	CHIP R 150K J 1/10W	
R4			RK73FB2A155J	CHIP R 1.5M J 1/10W	
R5			RK73FB2A910J	CHIP R 91 J 1/10W	
R6			RK73FB2A154J	CHIP R 150K J 1/10W	
R7			RK73FB2A155J	CHIP R 1.5M J 1/10W	
R8			RK73EB2B4R7J	CHIP R 4.7 J 1/8W	
R9			RK73EB2B100J	CHIP R 10 J 1/8W	
R10	, 11		RK73FB2A912J	CHIP R 9.1K J 1/10W	
R12			RK73FB2A562J	CHIP R 5.6K J 1/10W	
R13			RK73FB2A683J	CHIP R 68K J 1/10W	
R14	, 15		RK73FB2A824J	CHIP R 820K J 1/10W	
R16			RK73FB2A223J	CHIP R 22K J 1/10W	
R17			RK73FB2A393J	CHIP R 39K J 1/10W	
R18			RK73FB2A392J	CHIP R 3.9K J 1/10W	
R19			RK73FB2A333J	CHIP R 33K J 1/10W	
R20			RK73FB2A104J	CHIP R 100K J 1/10W	
R21			RK73FB2A224J	CHIP R 220K J 1/10W	
R22	-24		RK73FB2A101J	CHIP R 100 J 1/10W	
R31			RK73FB2A102J	CHIP R 1.0K J 1/10W	
R32			RK73FB2A104J	CHIP R 100K J 1/10W	
R33			RK73FB2A155J	CHIP R 1.5M J 1/10W	
R34			RK73FB2A333J	CHIP R 33K J 1/10W	
R35			RK73FB2A104J	CHIP R 100K J 1/10W	
R36			RK73FB2A151J	CHIP R 150 J 1/10W	
R37			RK73FB2A471J	CHIP R 470 J 1/10W	
R38			RK73FB2A224J	CHIP R 220K J 1/10W	
R39			RK73FB2A102J	CHIP R 1.0K J 1/10W	
R42			RK73FB2A104J	CHIP R 100K J 1/10W	
R44			RK73FB2A512J	CHIP R 5.1K J 1/10W	
R45			RK73FB2A103J	CHIP R 10K J 1/10W	
R46			RK73FB2A102J	CHIP R 1.0K J 1/10W	
R47			RK73FB2A103J	CHIP R 10K J 1/10W	
R49			RK73FB2A472J	CHIP R 4.7K J 1/10W	
R50			RK73FB2A102J	CHIP R 1.0K J 1/10W	
R52			RK73FB2A104J	CHIP R 100K J 1/10W	
R54			RK73FB2A104J	CHIP R 100K J 1/10W	
R56			RK73FB2A104J	CHIP R 100K J 1/10W	
R61			RK73FB2A101J	CHIP R 100 J 1/10W	
R68			RK73FB2A104J	CHIP R 100K J 1/10W	

K: KDC-6009 K1: KDC-PS709 M: KDC-5010
E: KDC-6060R E1: KDC-6060RY

⚠ indicates safety critical components.

PARTS LIST

* New Parts

Parts without Parts No. are not supplied.

Les articles non mentionnes dans le Parts No. ne sont pas fournis.

Teile ohne Parts No. werden nicht geliefert.

CD PLAYER UNIT (X32-4440-00)

Ref.No.	A d d w	N e w	Parts No.	Description	Dest inati on
R71			RK73FB2A752J	CHIP R 7.5K J 1/10W	
R72			RK73FB2A102J	CHIP R 1.0K J 1/10W	
R73			RK73FB2A333J	CHIP R 33K J 1/10W	
R74			RK73FB2A822J	CHIP R 8.2K J 1/10W	
R75			RK73FB2A273J	CHIP R 27K J 1/10W	
R76			RK73FB2A512J	CHIP R 5.1K J 1/10W	
R77			RK73FB2A393J	CHIP R 39K J 1/10W	
R78			RK73FB2A153J	CHIP R 15K J 1/10W	
R79			RK73FB2A202J	CHIP R 2.0K J 1/10W	
R80			RK73FB2A162J	CHIP R 1.6K J 1/10W	
R81			RK73FB2A273J	CHIP R 27K J 1/10W	
R82			RK73FB2A562J	CHIP R 5.6K J 1/10W	
R83			RK73FB2A561J	CHIP R 560 J 1/10W	
R91 ,92			RK73FB2A332J	CHIP R 3.3K J 1/10W	
R93 ,94			RK73FB2A562J	CHIP R 5.6K J 1/10W	
R101-106			RK73FB2A203J	CHIP R 20K J 1/10W	
R107, 108			RK73FB2A681J	CHIP R 680 J 1/10W	
R202			RK73FB2A392J	CHIP R 3.9K J 1/10W	
R203, 204			RK73FB2A204J	CHIP R 200K J 1/10W	
R205			RK73FB2A331J	CHIP R 330 J 1/10W	
S1 ,2			S68-0822-05	PUSH SWITCH	
S3			S68-0823-05	PUSH SWITCH	
D1 ,2			DAN202U	DIODE	
D4			DAN202U	DIODE	
IC1			AN8806SB	ANALOGUE IC	
IC2		*	MN662748RPM	MOS-IC	
IC3		*	M38027M8D196FP	MI-COM IC	
IC4			BA6790FP	ANALOGUE IC	
IC5			TA78L05F	IC(VOLTAGE REGULATOR/ +5V)	
IC6			NJM4565MD	IC(OP AMP X2)	
IC8		*	LC3564ST-70	MEMORY IC	
IC9			TC7SH32F	MOS-IC	
Q1			2SA1362(Y)	TRANSISTOR	
Q2			DTC124EUA	DIGITAL TRANSISTOR	
Q3 ,4			2SA1362(Y)	TRANSISTOR	
Q5			DTC124EUA	DIGITAL TRANSISTOR	
Q6		*	2SA1576A	TRANSISTOR	
Q10			DTC124EUA	DIGITAL TRANSISTOR	
DAUGHTER UNIT (X89-2280-10)					
CN1		*	E40-9596-05	SOCKET FOR PIN ASSY	
J1		*	E58-0865-05	RECTANGULAR RECEPTACLE	
R1			RK73EB2B102J	CHIP R 1.0K J 1/8W	
R2			RK73EB2B241J	CHIP R 240 J 1/8W	
R3			RK73EB2B102J	CHIP R 1.0K J 1/8W	
R4			RK73EB2B222J	CHIP R 2.2K J 1/8W	
R5 -8			RK73EB2B102J	CHIP R 1.0K J 1/8W	
R9			RK73EB2B471J	CHIP R 470 J 1/8W	
R10			RK73EB2B102J	CHIP R 1.0K J 1/8W	
S1			S70-0841-05	TACT SWITCH	
MECHANISM ASSY (X92-3370-00)					
1	2A		A10-4224-41	CHASSIS	
2	1B		A10-4225-33	CHASSIS CALKING ASSY	

Ref.No.	A d d w	N e w	Parts No.	Description	Dest inati on
3	2B		A11-0915-23	SUB CHASSIS CALKING ASSY	
6	2A		D10-3083-34	ARM ASSY	
7	2A		D10-3084-34	ARM ASSY	
8	3A		D10-3087-44	ARM ASSY	
9	3B		D10-3092-03	SLIDER	
10	3B		D10-3093-04	SLIDER ASSY	
11	2B		D10-3095-04	SLIDER ASSY	
12	2B		D10-3096-04	SLIDER ASSY	
13	1A		D10-3099-24	SLIDER ASSY	
14	1A		D10-3100-04	SLIDER ASSY	
16	1B		D10-4004-04	LEVER ASSY	
17	1B		D10-4006-04	LEVER	
18	1A		D10-4007-04	LEVER	
19	2B		D10-4008-04	LEVER	
20	2A		D10-4009-23	ARM	
21	3A		D10-4010-04	LEVER	
22	3A		D10-4011-34	LEVER ASSY	
23	3A		D10-4013-14	ARM ASSY	
24	3B		D10-4050-04	ARM	
26	2A		D10-4123-14	LEVER ASSY	
27	3B		D13-1340-13	RACK (GEAR)	
29	3B		D13-1231-04	GEAR	
30	3A		D13-1232-04	GEAR	
31	3B		D13-1233-04	GEAR	
32	3B		D13-1234-14	GEAR ASSY	
33	3A		D13-1238-03	GEAR	
34	3B		D13-1240-04	GEAR	
35	3B		D13-1241-04	GEAR	
36	3B		D13-1242-04	GEAR	
37	1B		D13-1243-04	GEAR	
38	1B		D13-1244-04	GEAR	
39	1B		D13-1245-14	GEAR	
40	2A		D13-1246-04	GEAR	
41	2B		D13-1247-04	GEAR	
43	2B		D13-1249-04	GEAR ASSY	
44	2B		D13-1341-04	GEAR ASSY	
45	1B		D14-0668-04	ROLLER	
46	2A		D14-0670-04	ROLLER	
47	3B		D14-0674-04	ROLLER	
49	3A		D21-2228-04	SHAFT	
50	1A		D21-2229-04	SHAFT	
51	1A		D23-0925-24	RETAINER	
52	2A		D32-0614-04	STOPPER	
53	1B		D39-0223-05	DAMPER	
54	2B		D39-0224-05	DAMPER	
AR1	2A		D10-4038-23	ARM ASSY	
55	3B		F09-1246-04	SHEET	
58	3B		F09-1266-14	SHEET	
60	2A		G01-2770-04	EXTENSION SPRING	
61	3A		G01-2771-04	EXTENSION SPRING	
62	3A		G01-2772-24	EXTENSION SPRING	
63	3A		G01-2773-14	EXTENSION SPRING	
64	3A		G01-2774-34	EXTENSION SPRING	

K: KDC-6009 K1: KDC-PS709 M: KDC-5010
E: KDC-6060R E1: KDC-6060RY

⚠ indicates safety critical components.

KDC-5010/6009/PS709/6060R/R SPECIFICATIONS

[KDC-5010/6009/PS709]

FM

Frequency Range	
KDC-6009/PS709 (K)	87.9~107.9MHz
KDC-5010 (M)	87.5~108.0MHz
Frequency Step	
KDC-6009/PS709 (K)	200kHz
KDC-5010 (M)	50kHz
Usable Sensitivity (S/N:30dB)	9.3dBf (0.8 μ V/75 Ω)
Quieting Sensitivity (S/N:50dB)	15.2dBf (1.6 μ V/75 Ω)
Frequency Response (\pm 3.0dB)	30Hz~15kHz
S/N	70dB (MONO)
Selectivity	>80dB (\pm 400kHz)
Stereo Separation	40dB (1kHz)

AM

Frequency Range	
KDC-6009/SP709 (K)	530~1700kHz
KDC-5010 (M)	531~1611kHz
Frequency Step	
KDC-6009/PS709 (K)	10kHz
KDC-5010 (K)	9kHz
Usable Sensitivity	28dB (25 μ V)

CD

Laser Diode	GaAlAs (λ =780nm)
Digital Filter (D/A)	8 Times Over Sampling
D/A Converter	1Bit
Spindle Speed	500~200 (CLV)
Wow & Flutter	Below Mesurable Limit
Frequency Response	10~20kHz (\pm 1dB)
Total Harmonic Distortion	0.01% (1kHz)
S/N Ratio	93dB (1kHz)
Dynamic Range	93dB
Channel Separation	85dB

AUDIO

Preout Level/Load	
KDC-PS709 (K)	4000mV/10k Ω
KDC-5010/6009 (K/M)	1800mV/10k Ω
Preout Impedance	
KDC-PS709 (K)	80 Ω
KDC-5010/6009 (K/M)	<600 Ω

[KDC-6060R/R]

FM

Frequency Range	87.5~108.0MHz
Frequency Step	50kHz
Usable Sensitivity (S/N:26dB)	0.7 μ V/75 Ω
Quieting Sensitivity (S/N:46dB)	1.6 μ V/75 Ω
Frequency Response (\pm 3.0dB)	30Hz~15kHz
S/N	65dB (MONO)
Selectivity (DIN)	>80dB (\pm 400kHz)
Stereo Separation	35dB (1kHz)

MW

Frequency Range	531~1611kHz
Frequency Step	9kHz
Usable Sensitivity	25 μ V

LW

Frequency Range	153~281kHz
Usable Sensitivity	45 μ V

CD

Laser Diode	GaAlAs (λ =780nm)
Digital Filter (D/A)	8 Times Over Sampling
D/A Converter	1Bit
Spindle Speed	500~200 (CLV)
Wow & Flutter	Below Mesurable Limit
Frequency Response	10~20kHz (\pm 1dB)
Total Harmonic Distortion	0.01% (1kHz)
S/N Ratio	93dB (1kHz)
Dynamic Range	93dB
Channel Separation	85dB

AUDIO

Preout Level/Load	1800mV/10k Ω
Preout Impedance	<600 Ω
Max Power	40W \times 4
PWR (DIN45324, +B=14.4V)	27W \times 4
Tone Action	
Bass	100Hz \pm 10dB
Treble	10kHz \pm 10dB

GENERAL

Operating Voltage (11~16V allowable)	14.4V
Current Consumption	10.0A at rated power
Installation Size (W \times H \times D)	182 \times 53 \times 160mm
Weight	1500g

KENWOOD follows policy of continuous advancements in development. For this reason specifications may be changed without notice.

KENWOOD CORPORATION

14-6, Dogenzaka 1-chome, Shibuya-ku, Tokyo, 150 Japan

KENWOOD SERVICE CORPORATION

P.O. Box 22745, 2201 East Dominguez Street,
Long Beach, CA90801-5745, U.S.A.

KENWOOD ELECTRONICS CANADA INC.

6070 Kestrel Road, Mississauga, Ontario, Canada L5T 1S8

KENWOOD ELECTRONICS LATIN AMERICA S.A.

P.O. Box 55-2791, Piso 6, Plaza Chase, Cl. 47 y,
Aquilino de la Guardia, Panama, Republic of Panama

KENWOOD ELECTRONICS BRASIL LTDA.

Avenida Indianópolis, 628, 04062-001 Planalto Paulista,
São Paulo-SP-Brasil

KENWOOD ELECTRONICS UK LIMITED

Kenwood House, Dwight Road, Watford, Herts,
WD1 8EB, United Kingdom

KENWOOD ELECTRONICS DEUTSCHLAND GMBH

Rembrücker-Str. 15, 63150 Heusenstamm, Germany

KENWOOD ELECTRONICS FRANCE S.A.

13, Boulevard Ney, 75018 Paris, France

KENWOOD ELECTRONICS BELGIUM N.V.

Mechelsesteenweg 418, B-1930 Zaventem, Belgium

KENWOOD ELECTRONICS ITALIA S.p.A.

Via G. Sirtori 7/9, 20129 Milano, Italy

KENWOOD IBÉRICA S.A.

Bolivia, 239-08020 Barcelona, Spain

KENWOOD ELECTRONICS AUSTRALIA PTY. LTD.

(A.C.N. 001 499 074)
8 Figtree Drive, Australia Centre, Homebush, N.S.W. 2140, Australia

KENWOOD & LEE ELECTRONICS LTD.

Unit 3712-3724, Level 37, Tower 1, Metroplaza,
223 Hing Fong Road, Kwai Fong, N.T., Hong Kong

KENWOOD ELECTRONICS GULF FZE

P.O. Box 61318, Jebel Ali, Dubai, U.A.E.

KENWOOD ELECTRONICS (THAILAND) CO., LTD.

573/111 Soi Ramkhamhaeng 39, Ramkhamhaeng Road,
Wangthonglang, Bangkok, Bangkok, 10310 Thailand

KENWOOD ELECTRONICS SINGAPORE PTE. LTD.

1 Genting Lane, #07-00, Kenwood Building, Singapore 349544

KENWOOD ELECTRONICS (MALAYSIA) SDN BHD

#4.01 Level 4, Wisma Academy, Lot 4A, Jalan 19/1,
46300 Petaling Jaya, Selangor, Malaysia